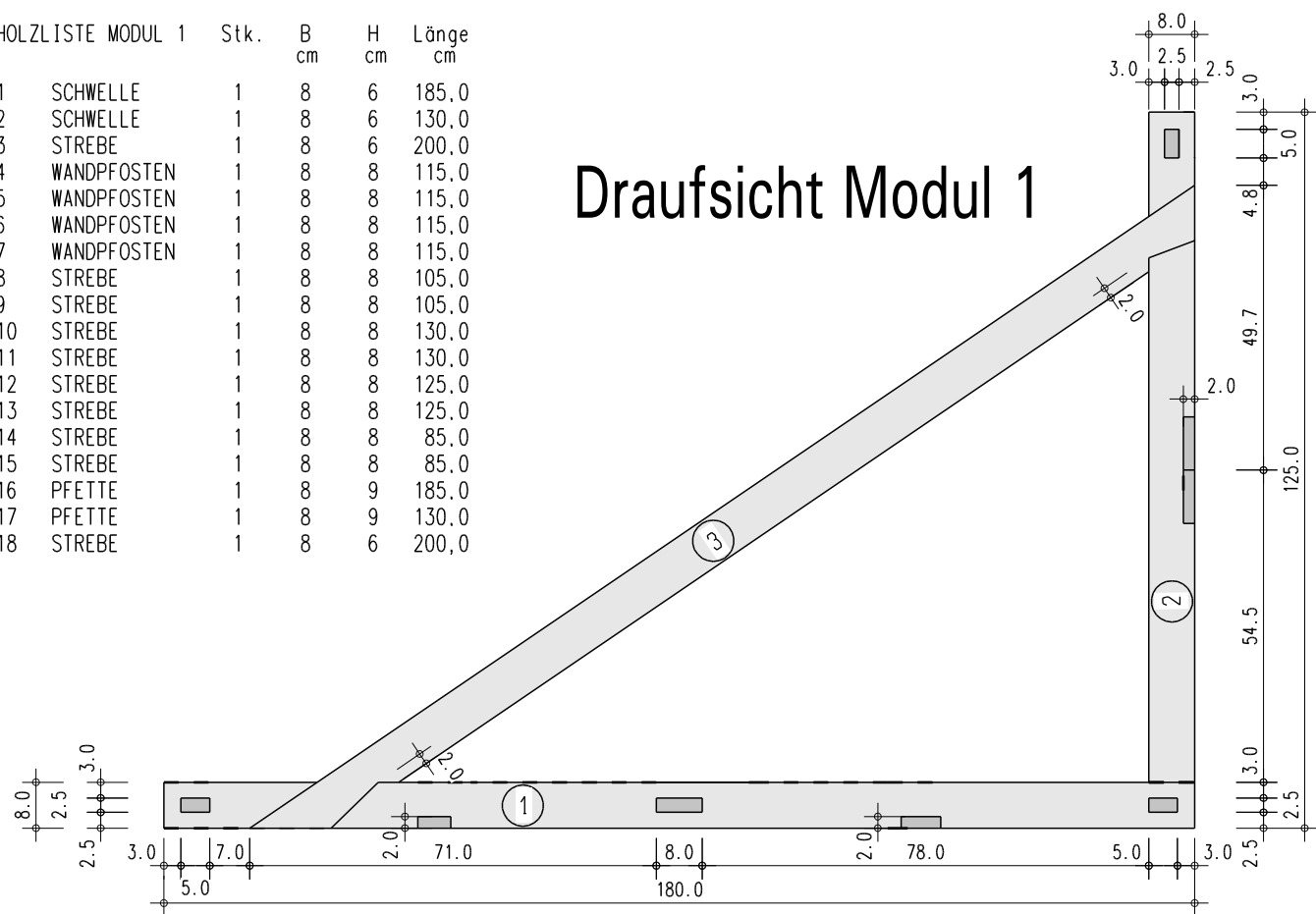
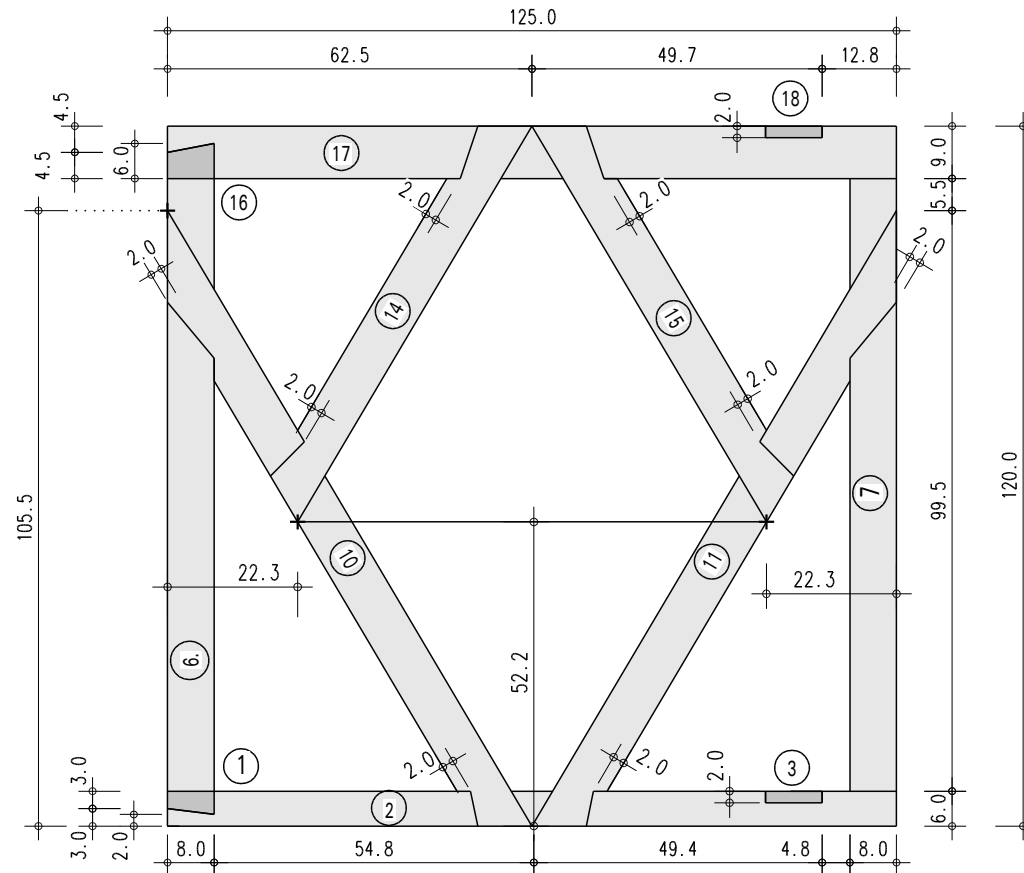


HOLZLISTE MODUL 1		Stk.	B cm	H cm	Länge cm
1	SCHWELLE	1	8	6	185,0
2	SCHWELLE	1	8	6	130,0
3	STREBE	1	8	6	200,0
4	WANDPFOSTEN	1	8	8	115,0
5	WANDPFOSTEN	1	8	8	115,0
6	WANDPFOSTEN	1	8	8	115,0
7	WANDPFOSTEN	1	8	8	115,0
8	STREBE	1	8	8	105,0
9	STREBE	1	8	8	105,0
10	STREBE	1	8	8	130,0
11	STREBE	1	8	8	130,0
12	STREBE	1	8	8	125,0
13	STREBE	1	8	8	125,0
14	STREBE	1	8	8	85,0
15	STREBE	1	8	8	85,0
16	PFETTE	1	8	9	185,0
17	PFETTE	1	8	9	130,0
18	STREBE	1	8	6	200,0

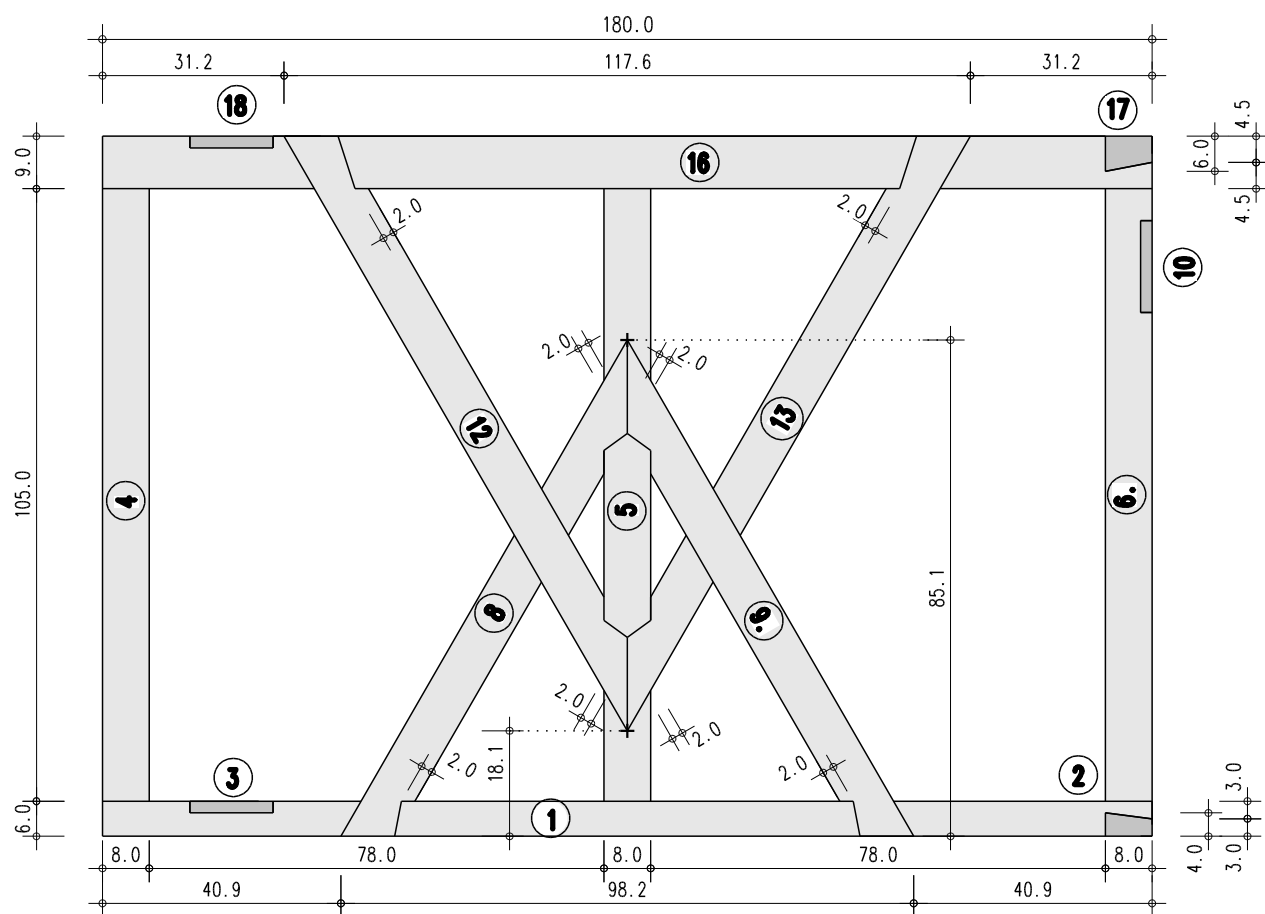
### Draufsicht Modul 1



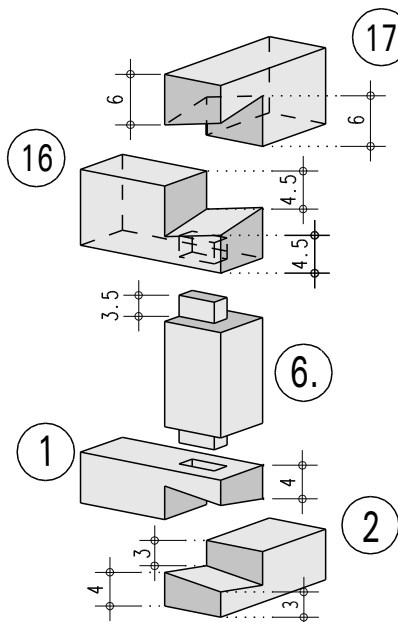
### Ansicht Querseite Modul 1



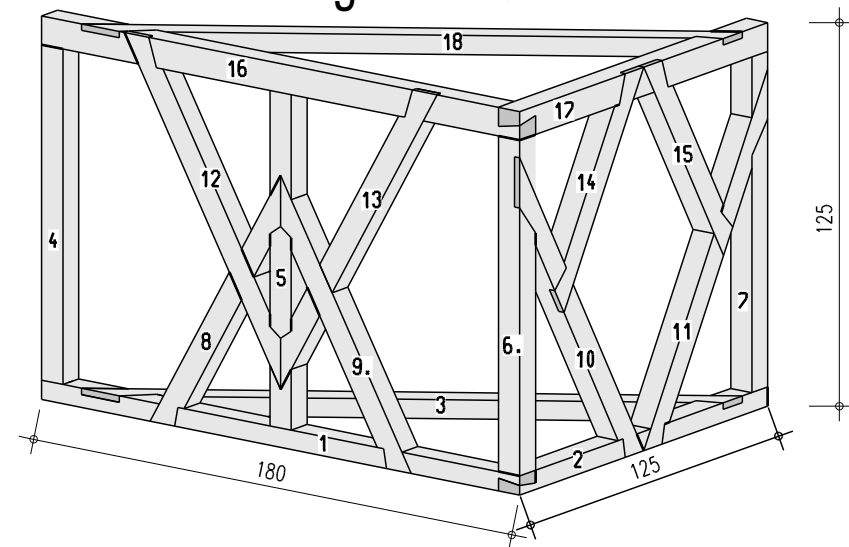
### Ansicht Längsseite Modul 1



### Eckverbindungen



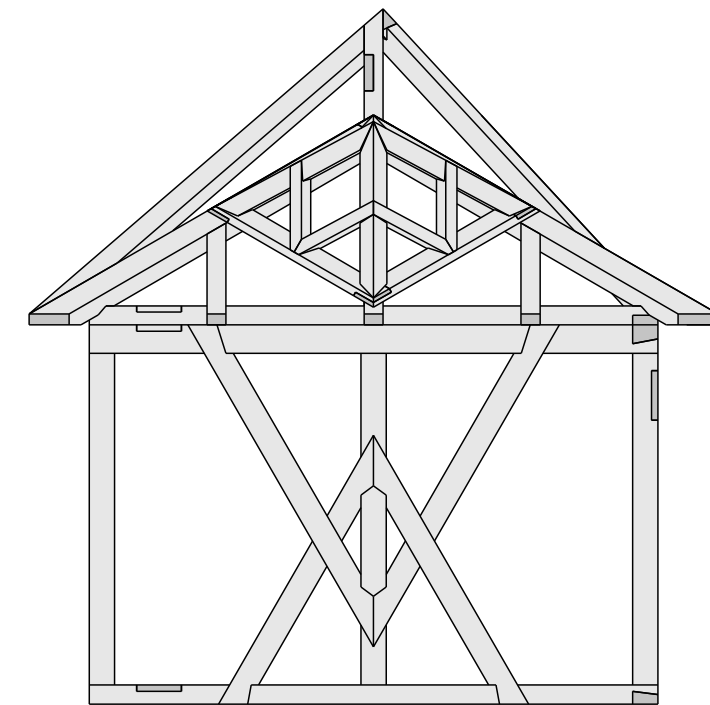
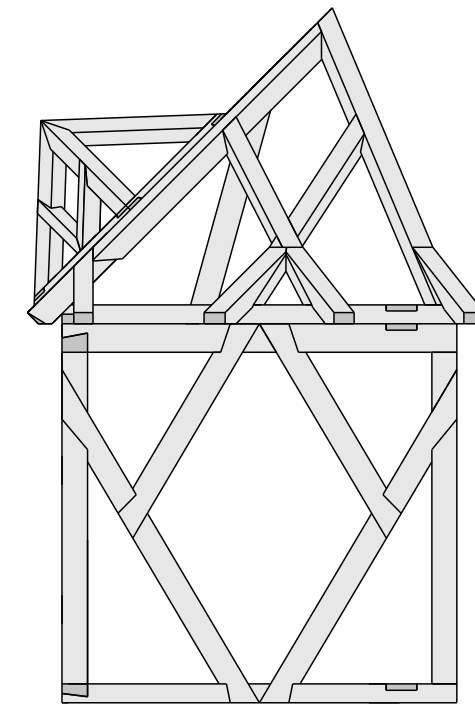
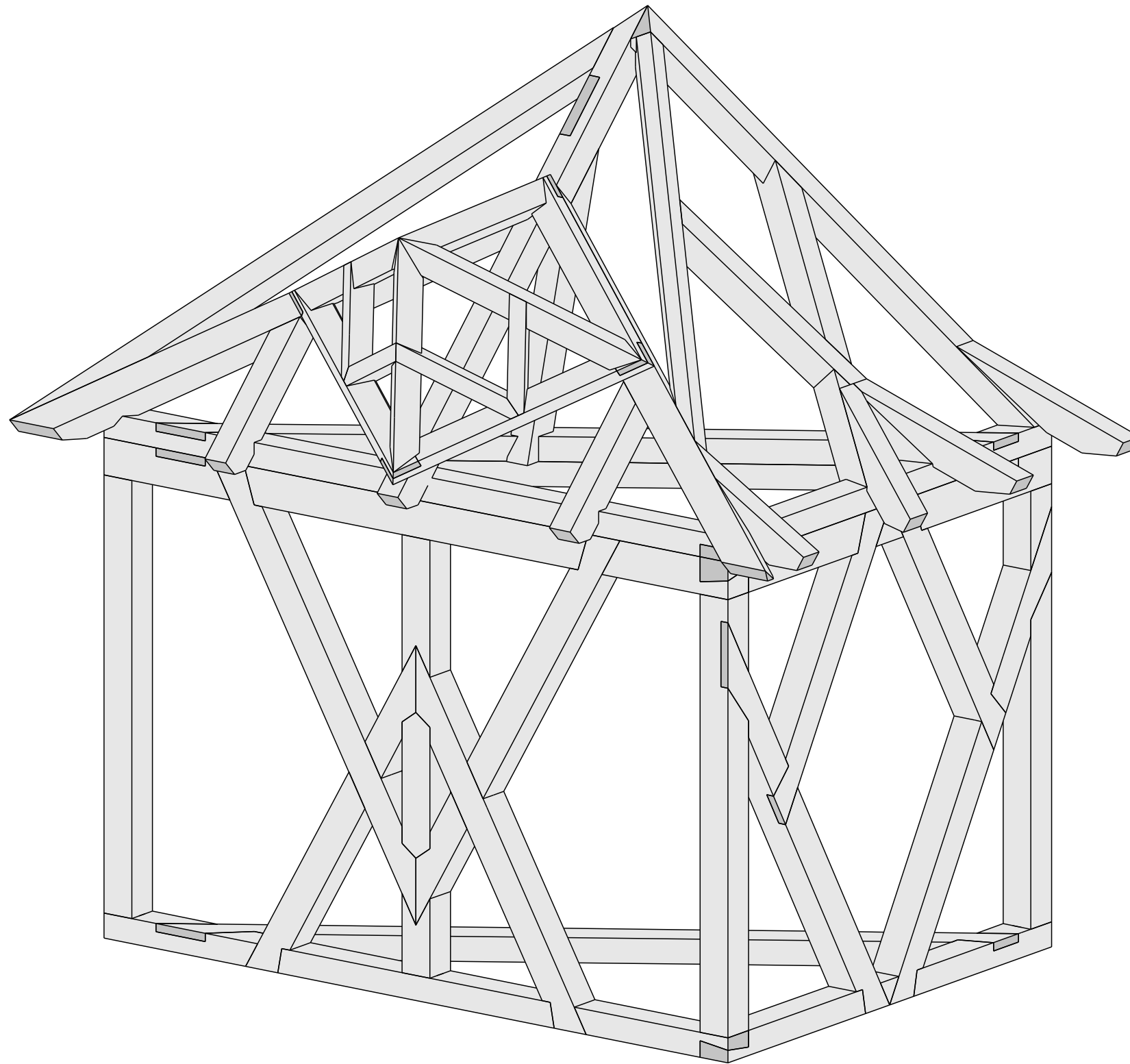
### Schrägansicht Modul 1



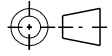
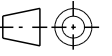
Test Project for the 39 WorldSkills Competition - Shizuoka, Japan 2007

Skill:			
Scale:	Date:	Paper:	
Drawn / Design by:			Drawing No:
Description:			Rev: Page:

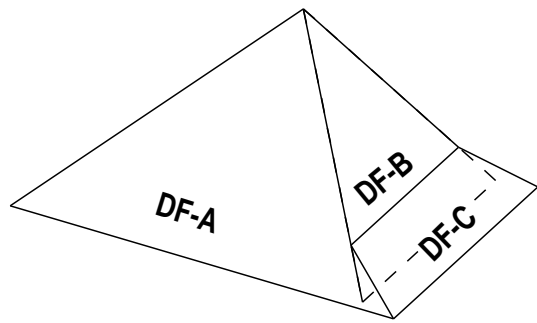
# Ansicht Modul 1 - Modul 2 - Modul 3



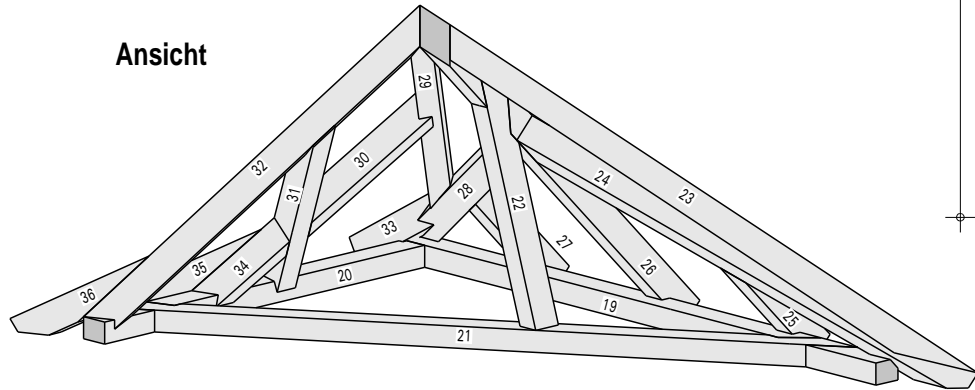
Test Project for the 39 WorldSkills  
Competition - Shizuoka, Japan 2007

Skill:			 OR 
Scale:	Date:	Paper:	
Drawn / Design by:			Drawing No:
Description:			Rev:      Page:

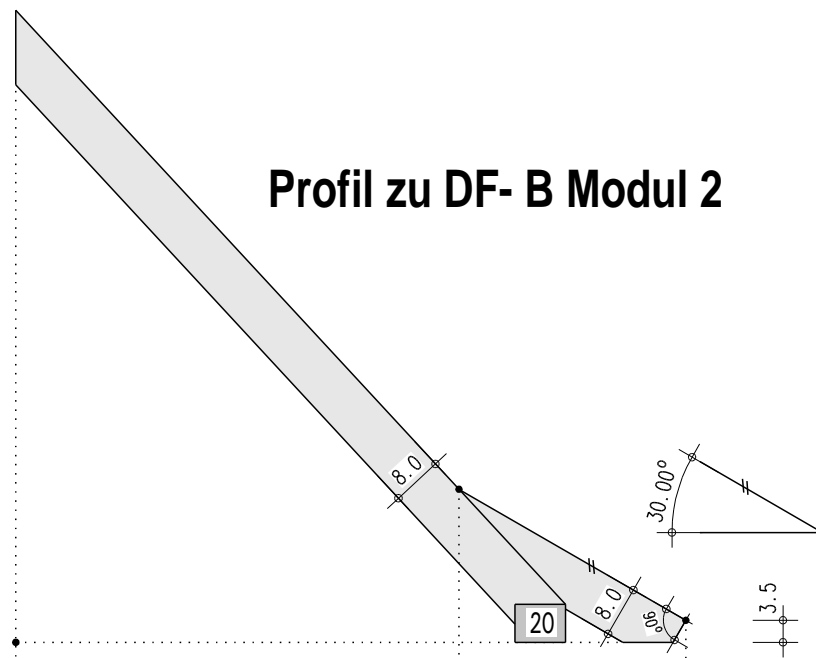
### Dachflächen Modul 2



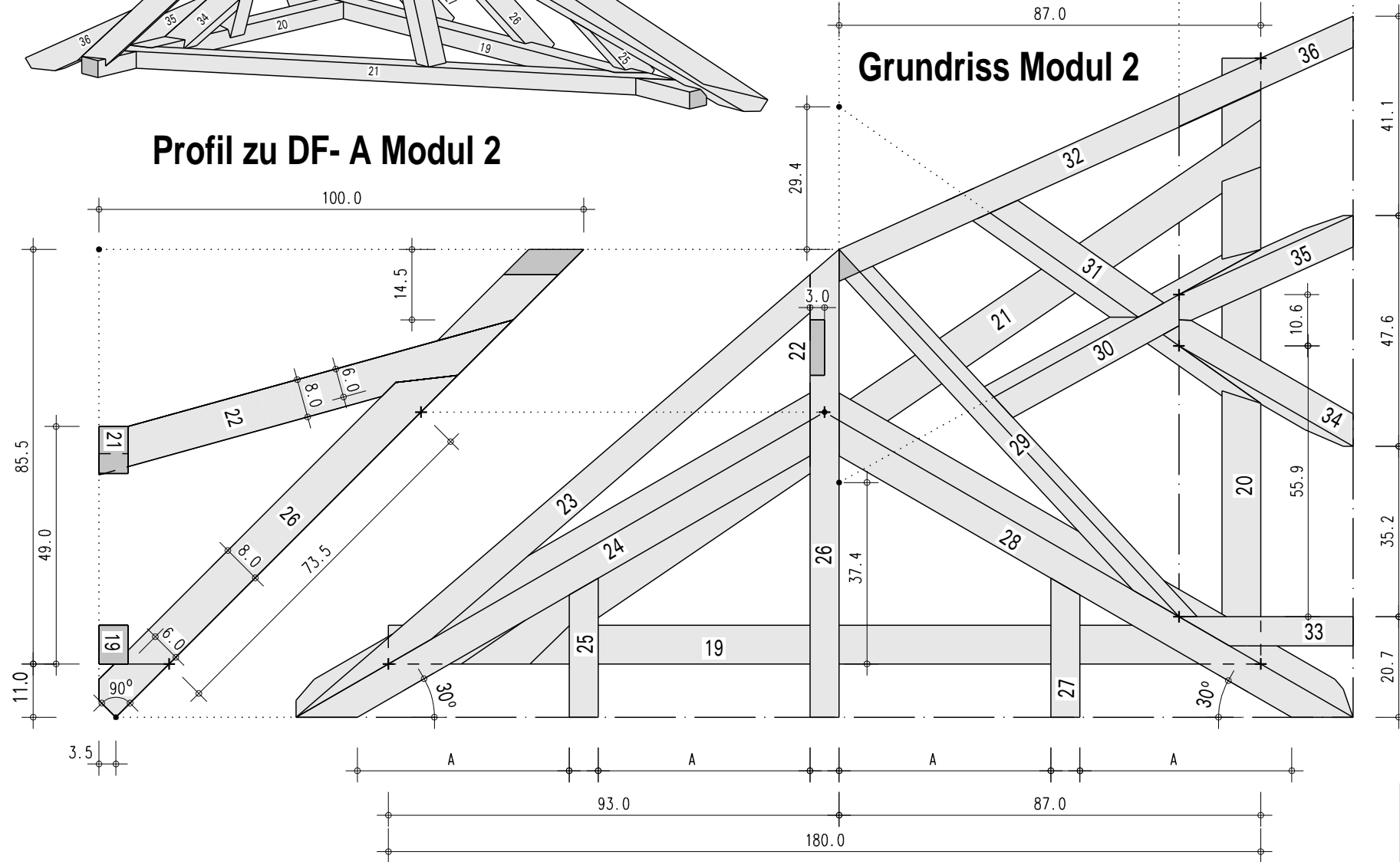
### Ansicht



### Profil zu DF- B Modul 2



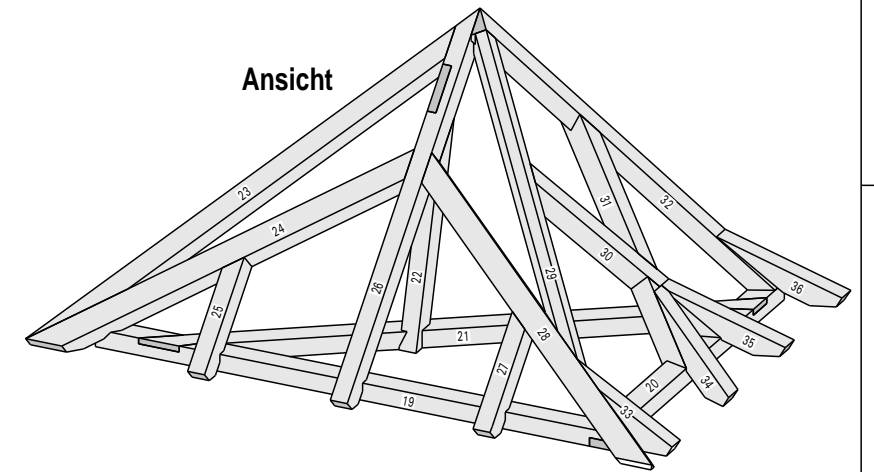
### Grundriss Modul 2



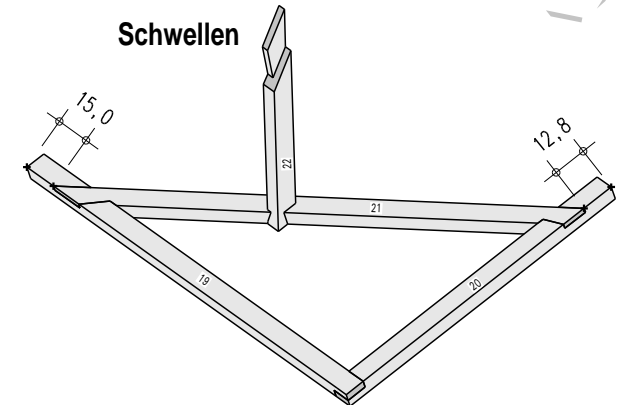
### Holzliste Modul 2

STK	B [cm]	H [cm]	L [cm]
19	8	6	185
20	8	6	130
21	8	6	200
22	6	8	95
23	6	8	175
24	8	8	145
25	6	8	45
26	6	8	145
27	6	8	45
28	8	8	145
29	6	9	135
30	6	8	95
31	6	8	105
32	6	8	140
33	6	8	50
34	6	8	55
35	6	8	55
36	6	8	55

### Ansicht

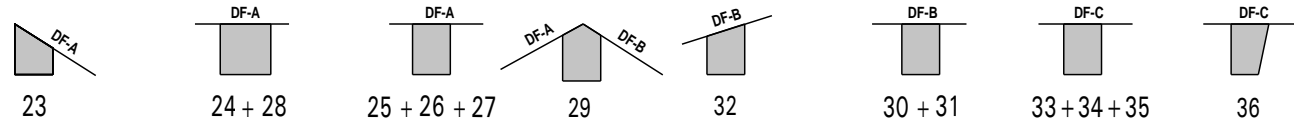


### Schwellen



Test Project for the 39 WorldSkills Competition - Shizuoka, Japan 2007

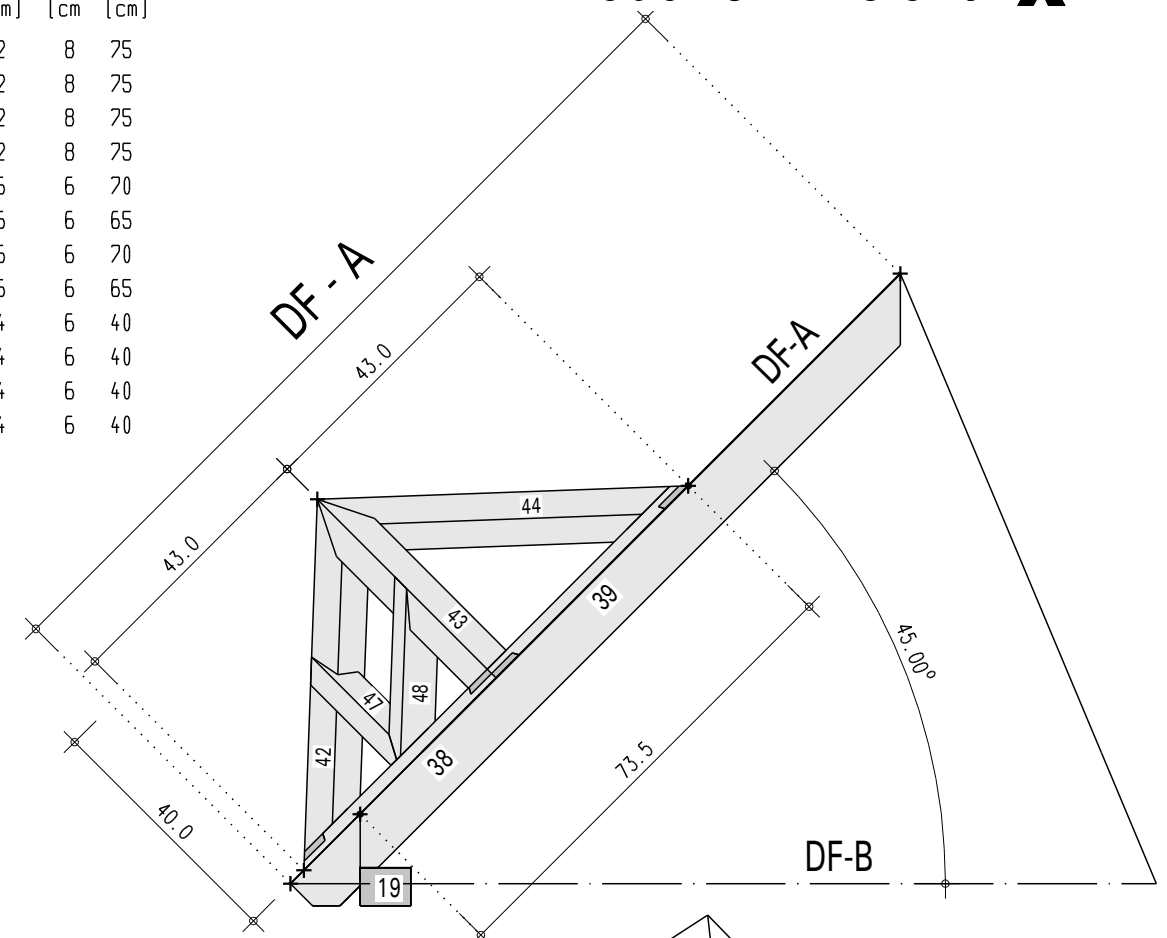
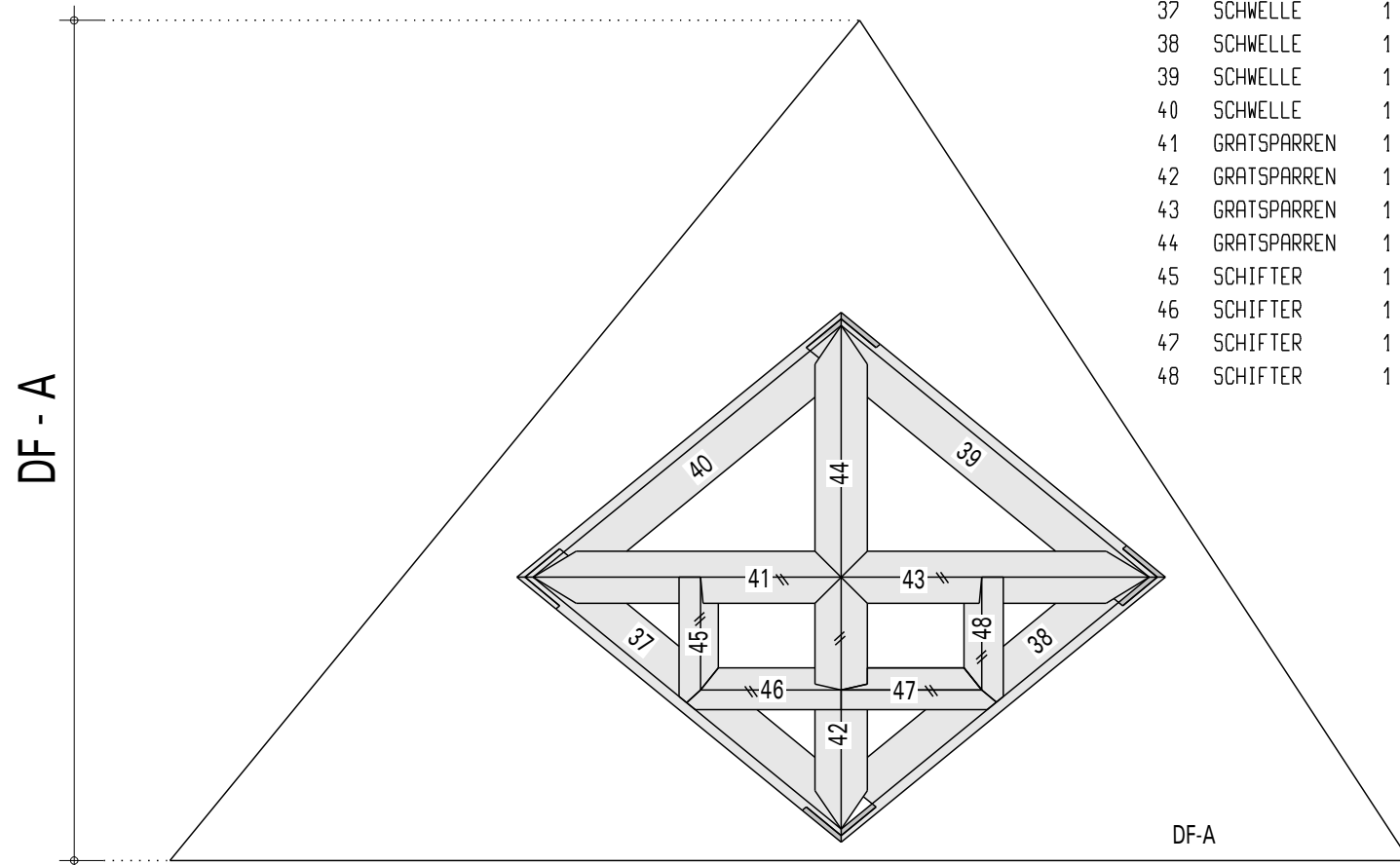
Skill:			
Scale:	Date:	Paper:	
Drawn / Design by:			Drawing No:
Description:			Rev: Page:



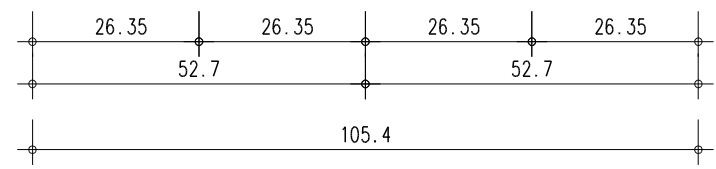
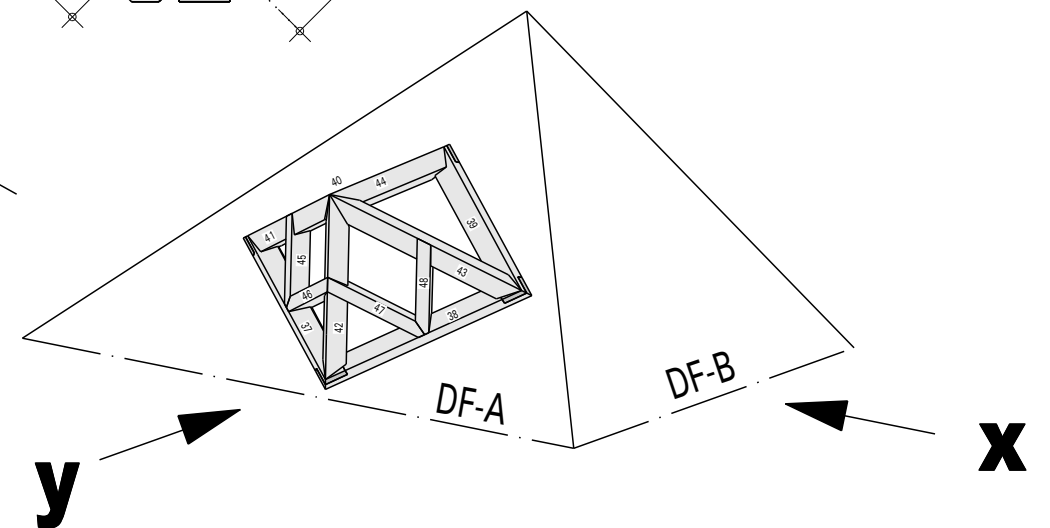
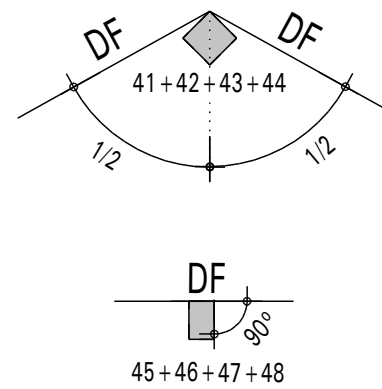
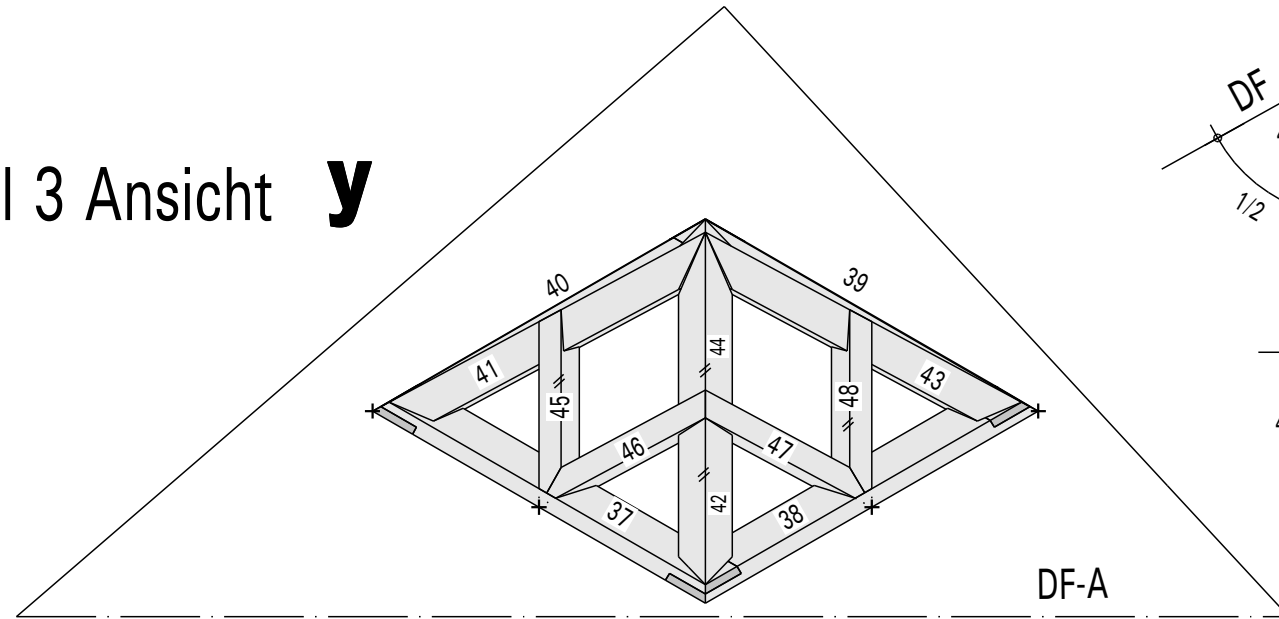
# Modul 3 Ansicht DF

HOLZLISTE	MODUL 3	STK	B [cm]	H [cm]	L [cm]
37	SCHWELLE	1	2	8	75
38	SCHWELLE	1	2	8	75
39	SCHWELLE	1	2	8	75
40	SCHWELLE	1	2	8	75
41	GRATSPARREN	1	6	6	70
42	GRATSPARREN	1	6	6	65
43	GRATSPARREN	1	6	6	70
44	GRATSPARREN	1	6	6	65
45	SCHIFTER	1	4	6	40
46	SCHIFTER	1	4	6	40
47	SCHIFTER	1	4	6	40
48	SCHIFTER	1	4	6	40

# Modul 3 Ansicht X



# Modul 3 Ansicht y



Test Project for the 39 WorldSkills Competition - Shizuoka, Japan 2007

Skill:	OR	
Scale:	Date:	Paper:
Drawn / Design by:	Drawing No:	
Description:	Rev:	Page: