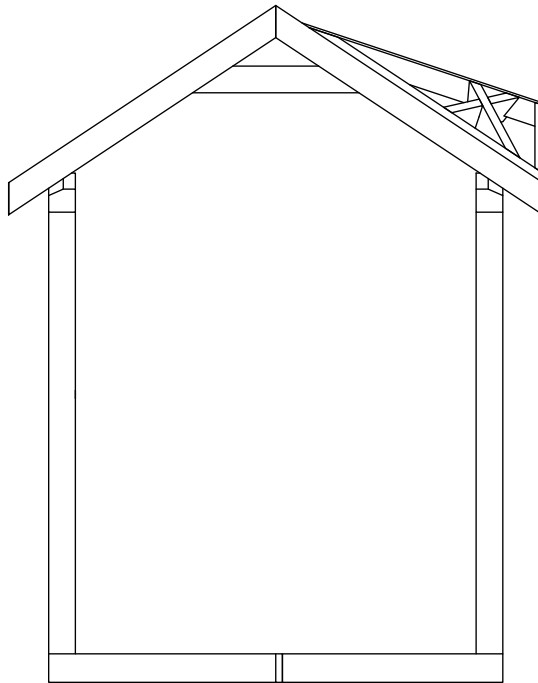
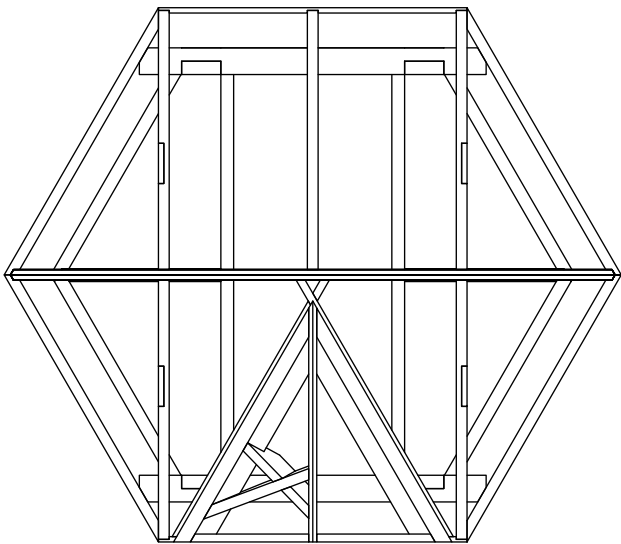
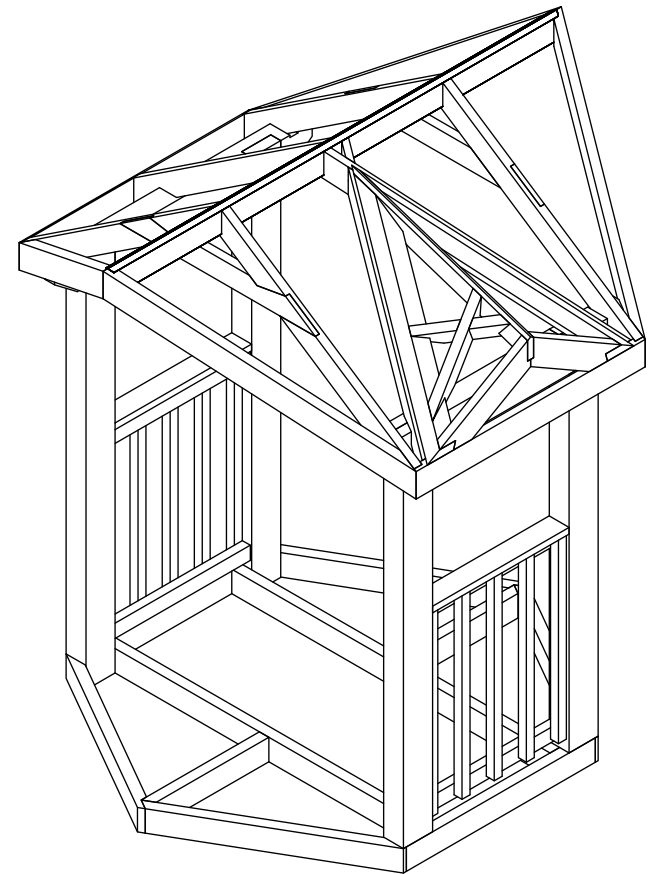


ELEVATION



END ELEVATION



PLAN

- Module 1 Floor frame, Post & beam
- Module 2 Main roof
- Module 3 Dormer
- Module 4 Fit supplied balustrade and decking

Test Project for the 40TH WorldSkills
Competition in Calgary, Canada 2009



Skill: Carpentry No. 26

Scale: 1:20 Date: 30-08-2009 Paper: A3

Drawn / Design by: Pat Noonan_IE

Drawing No: 1

Description: 3D of Gazebo

Rev: 30% changes

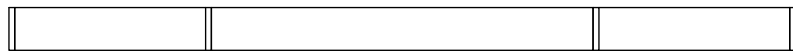
Page: 1 of 6



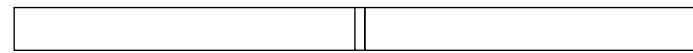
1 2 3 4 5 6 7 8 9 10

A

A



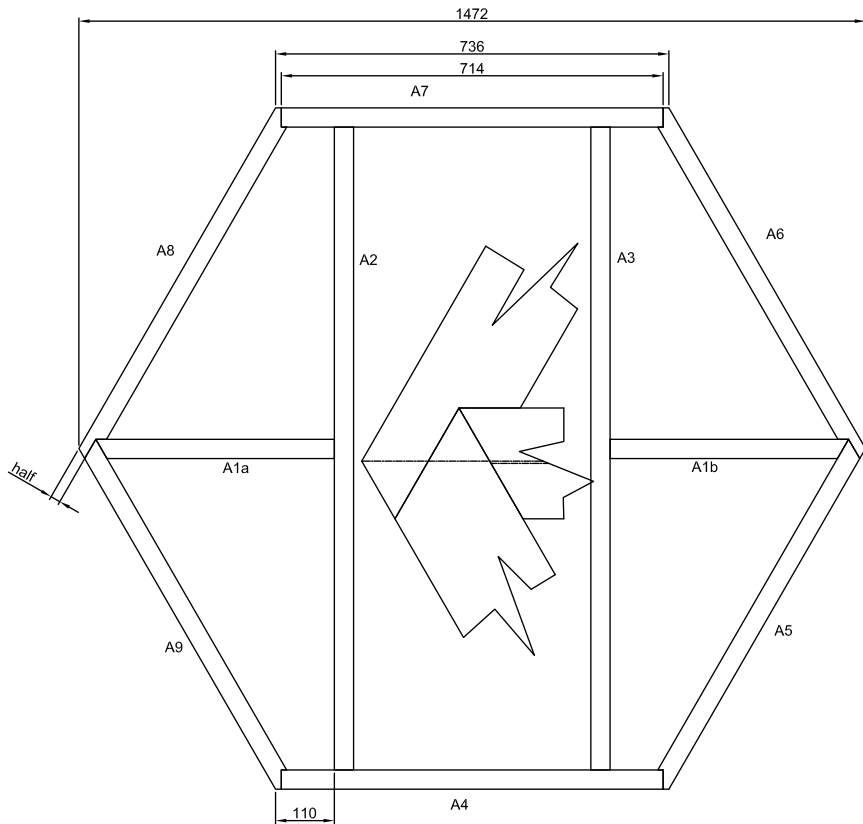
ELEVATION



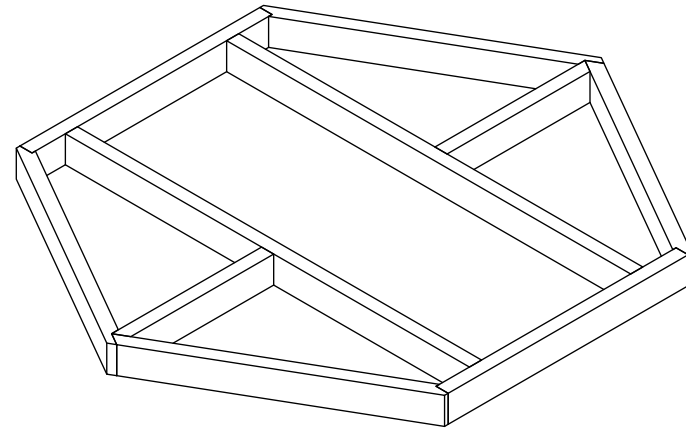
END ELEVATION

B

B



PLAN



Item	Qty	Material	Length	Width	Thickness
A1 a & b	1		1463	80	36
A2	1		1275	80	36
A3	1		1275	80	36
A4	1		825	80	36
A5	1		825	80	36
A6	1		825	80	36
A7	1		825	80	36
A8	1		825	80	36
A9	1		825	80	36

C

C

D

D

E

E

Test Project for the 40th WorldSkills
Competition in Calgary, Canada 2009



Skill: Carpentry No. 26

Scale: 1:10 Date: 30-08-2009 Paper: A3

Drawn / Design by: Pat Noonan IE

Drawing No: 2

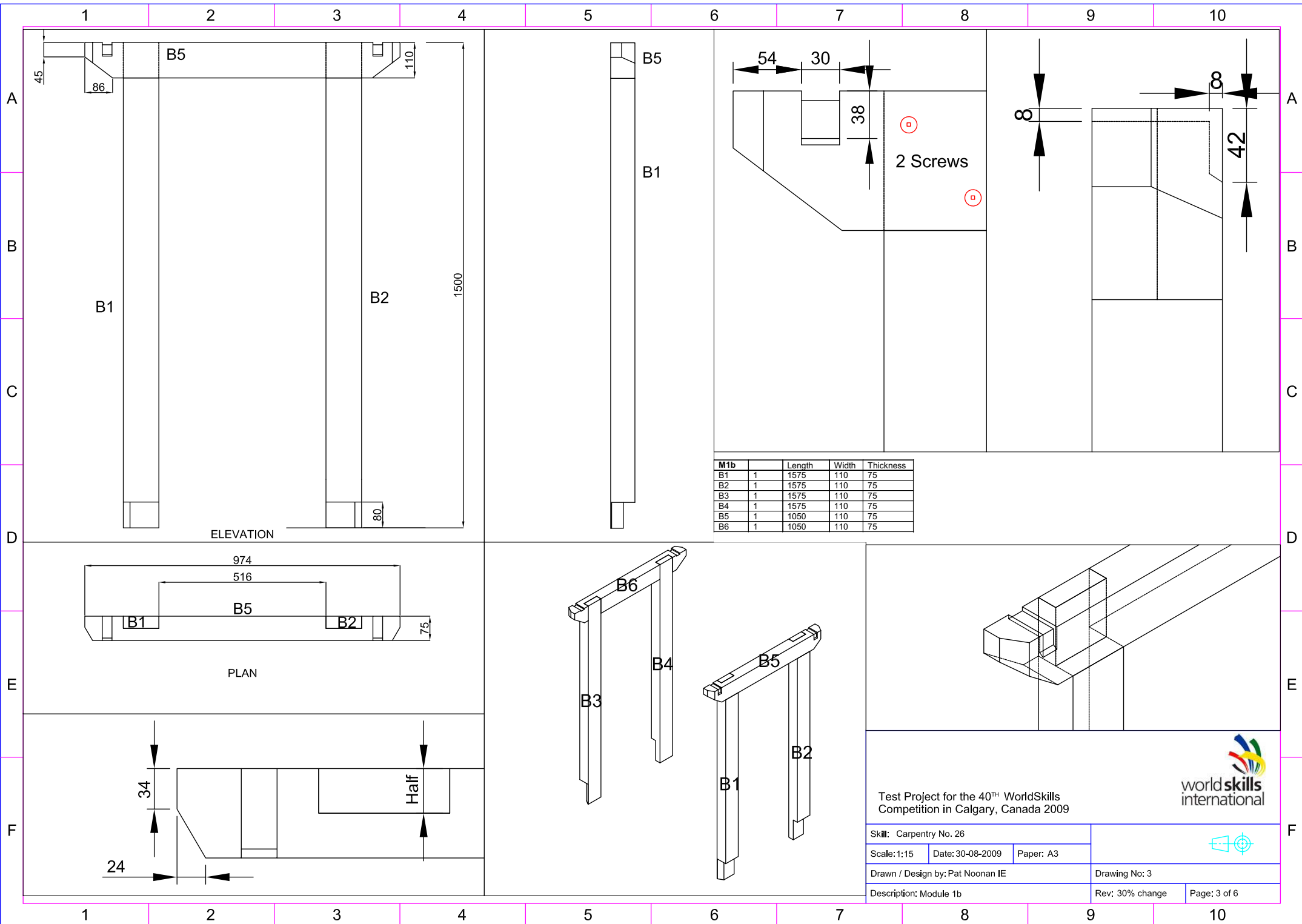
Description: Module 1a

Rev: 30% change

Page: 2 OF 6



1 2 3 4 5 6 7 8 9 10



Test Project for the 40th WorldSkills Competition in Calgary, Canada 2009



Skill: Carpentry No. 26

Scale: 1:15 Date: 30-08-2009 Paper: A3

Drawn / Design by: Pat Noonan IE

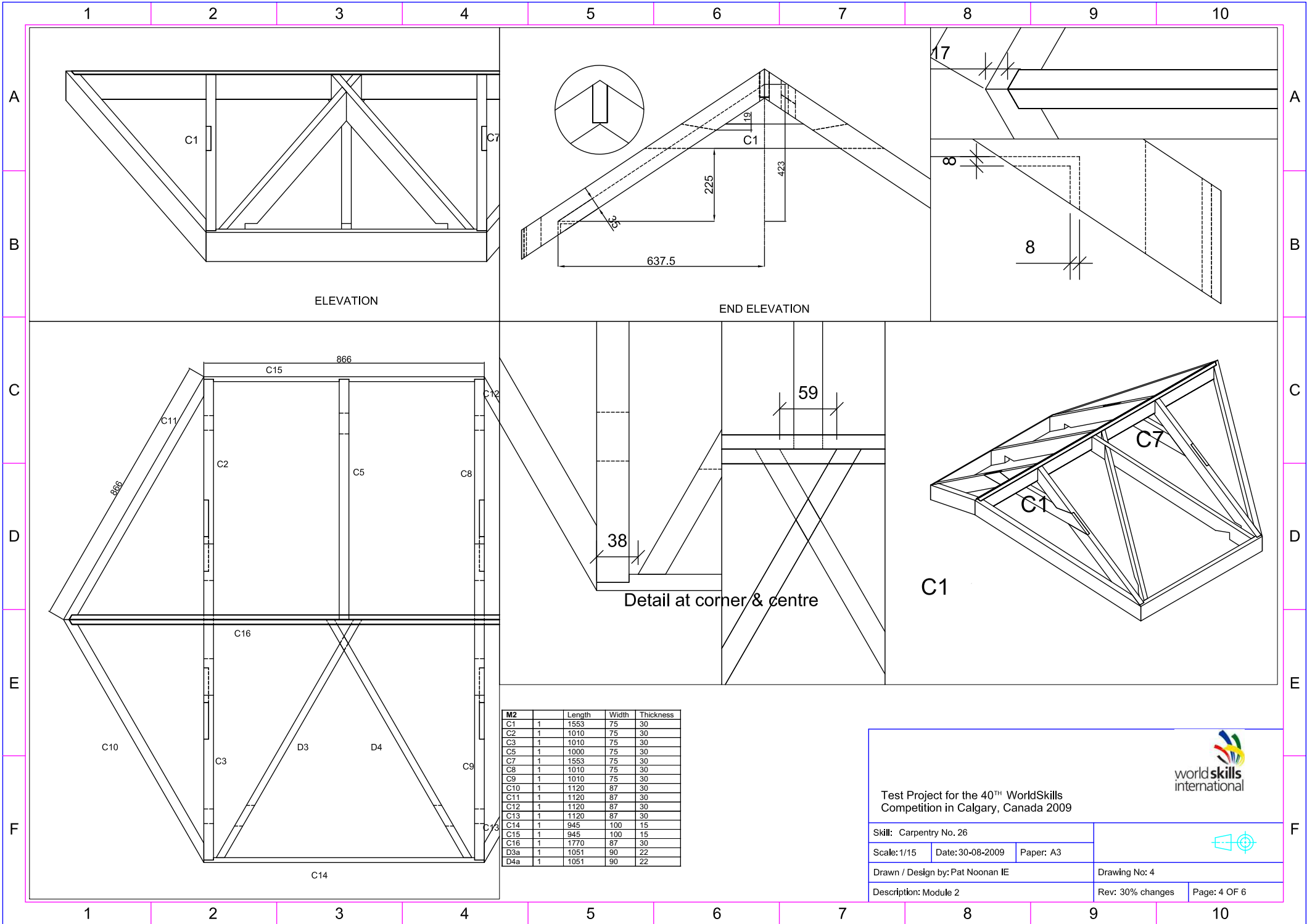
Drawing No: 3

Description: Module 1b


Rev: 30% change

Page: 3 of 6

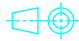


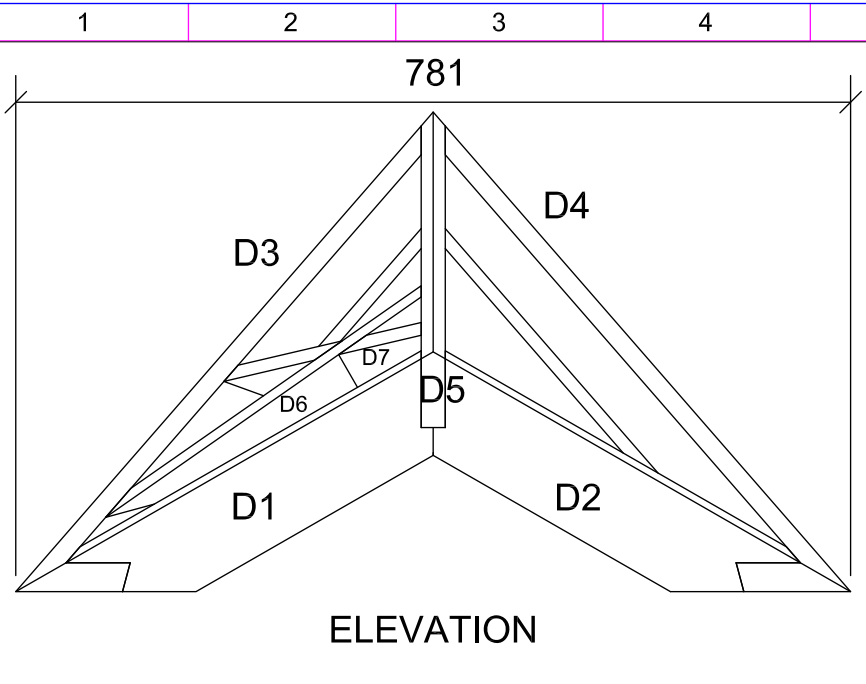


M2		Length	Width	Thickness
C1	1	1553	75	30
C2	1	1010	75	30
C3	1	1010	75	30
C5	1	1000	75	30
C7	1	1553	75	30
C8	1	1010	75	30
C9	1	1010	75	30
C10	1	1120	87	30
C11	1	1120	87	30
C12	1	1120	87	30
C13	1	1120	87	30
C14	1	945	100	15
C15	1	945	100	15
C16	1	1770	87	30
D3a	1	1051	90	22
D4a	1	1051	90	22

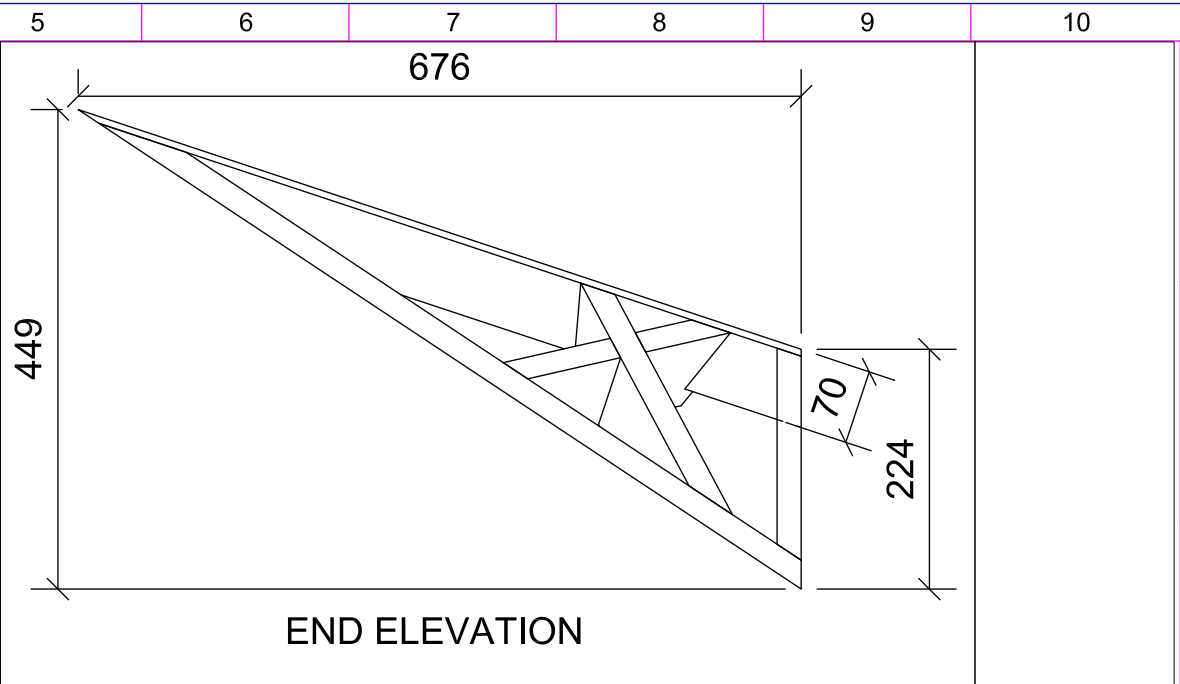

 world skills
 international

Test Project for the 40th WorldSkills
 Competition in Calgary, Canada 2009

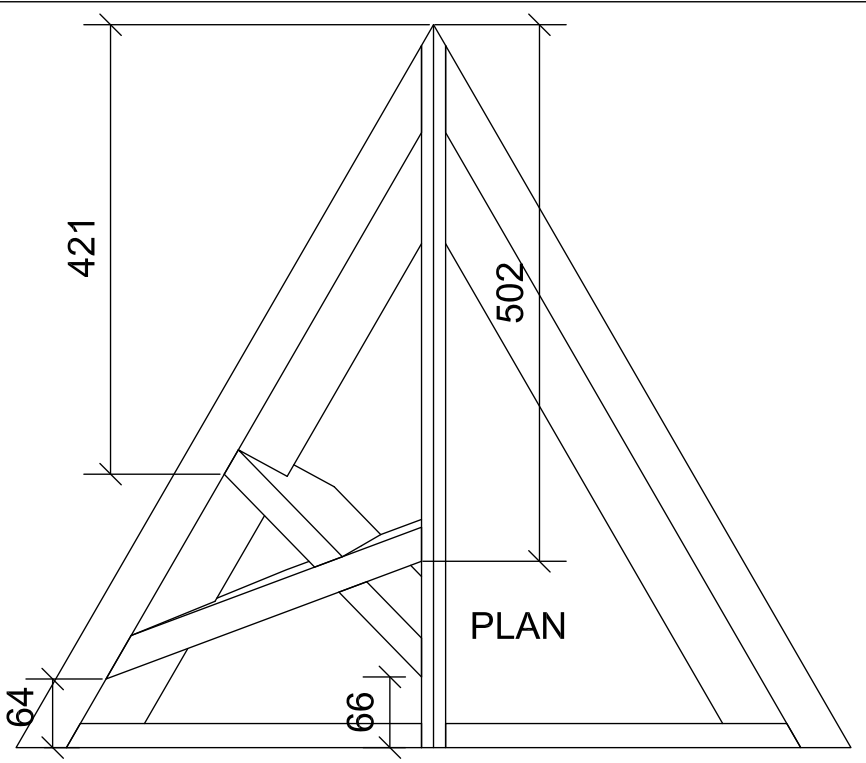
Skill: Carpentry No. 26		
Scale: 1/15	Date: 30-08-2009	
Drawn / Design by: Pat Noonan IE		Drawing No: 4
Description: Module 2		Rev: 30% changes
		Page: 4 OF 6



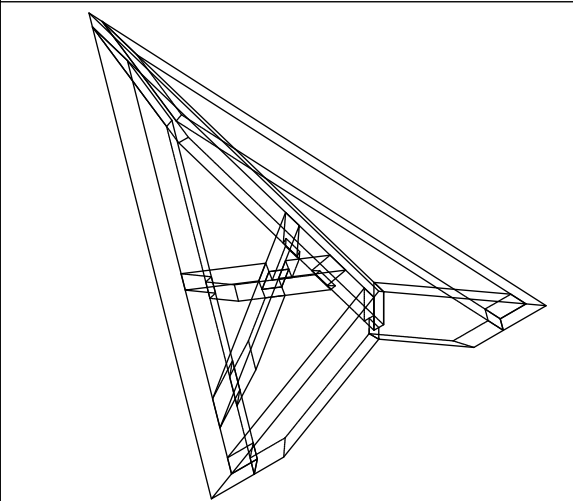
ELEVATION



END ELEVATION



PLAN



M3		Length	Width	Thickness	
D1	1	510	90	22	Cedar
D2	1	510	90	22	
D3	1	1050	90	22	
D4	1	1050	90	22	
D5	1	890	90	22	
D6	1	555	75	30	
D7	1	425	75	30	

Test Project for the 40th WorldSkills Competition in Calgary, Canada 2009



Skill: Carpentry No. 26			
Scale: 1:5	Date: 30-08-2009	Paper: A3	
Drawn / Design by: Pat Noonan IE			Drawing No: 5
Description: Module 3			Rev: 30% changes Page: 5 of 6

A

B

C

E

F

1 2 3 4 5 6 7 8 9 10

A

A

B

B

C

C

D

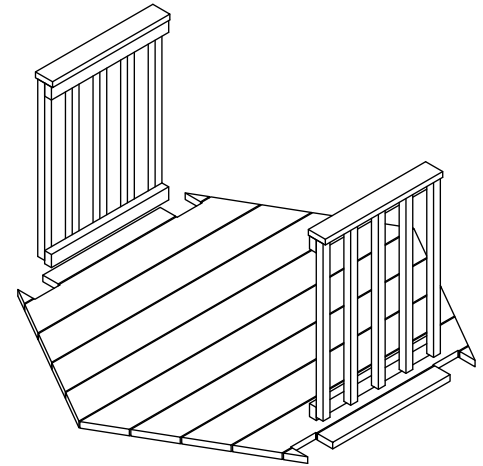
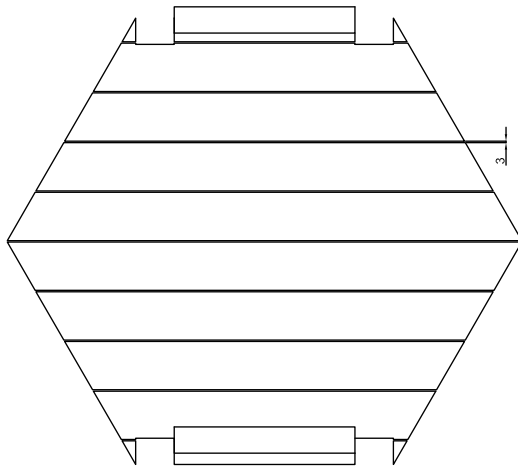
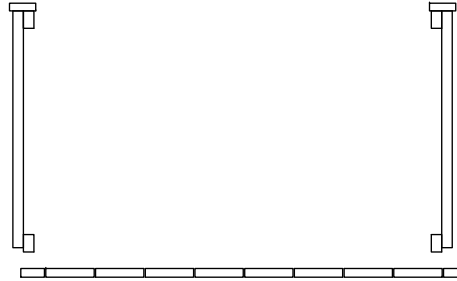
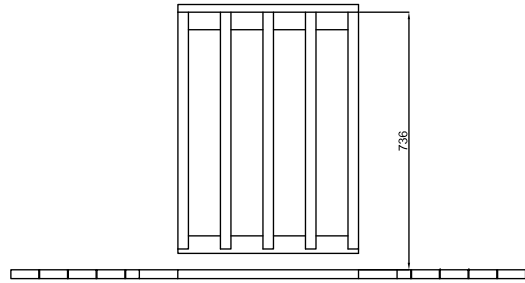
D

E

E

F

F



M4	Length	Width	Thickness	
2	1500	138	25	Cedar Decking
2	1350	138	25	
2	1200	138	25	
2	1030	138	25	
2	850	138	25	
2	Balustrade supplied			

Module 4b

Fit the decking with 3mm spacing between the pieces.

Fit the balustrade 25mm above the decking.

Test Project for the 40th WorldSkills Competition in Calgary, Canada 2009



Skill: Carpentry No. 26			
Scale: 1/15	Date: 30-08-2009	Paper: A3	
Drawn / Design by: Pat Noonan IE			Drawing No: 6
Description: Module 4			Rev: 30% changes Page: 6 OF 6

1 2 3 4 5 6 7 8 9 10