

SIDE - EVELATION

REAR - ELEVATION

ISOMETRY

TOP - VIEW / ALL

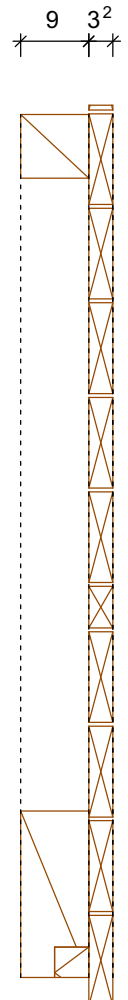
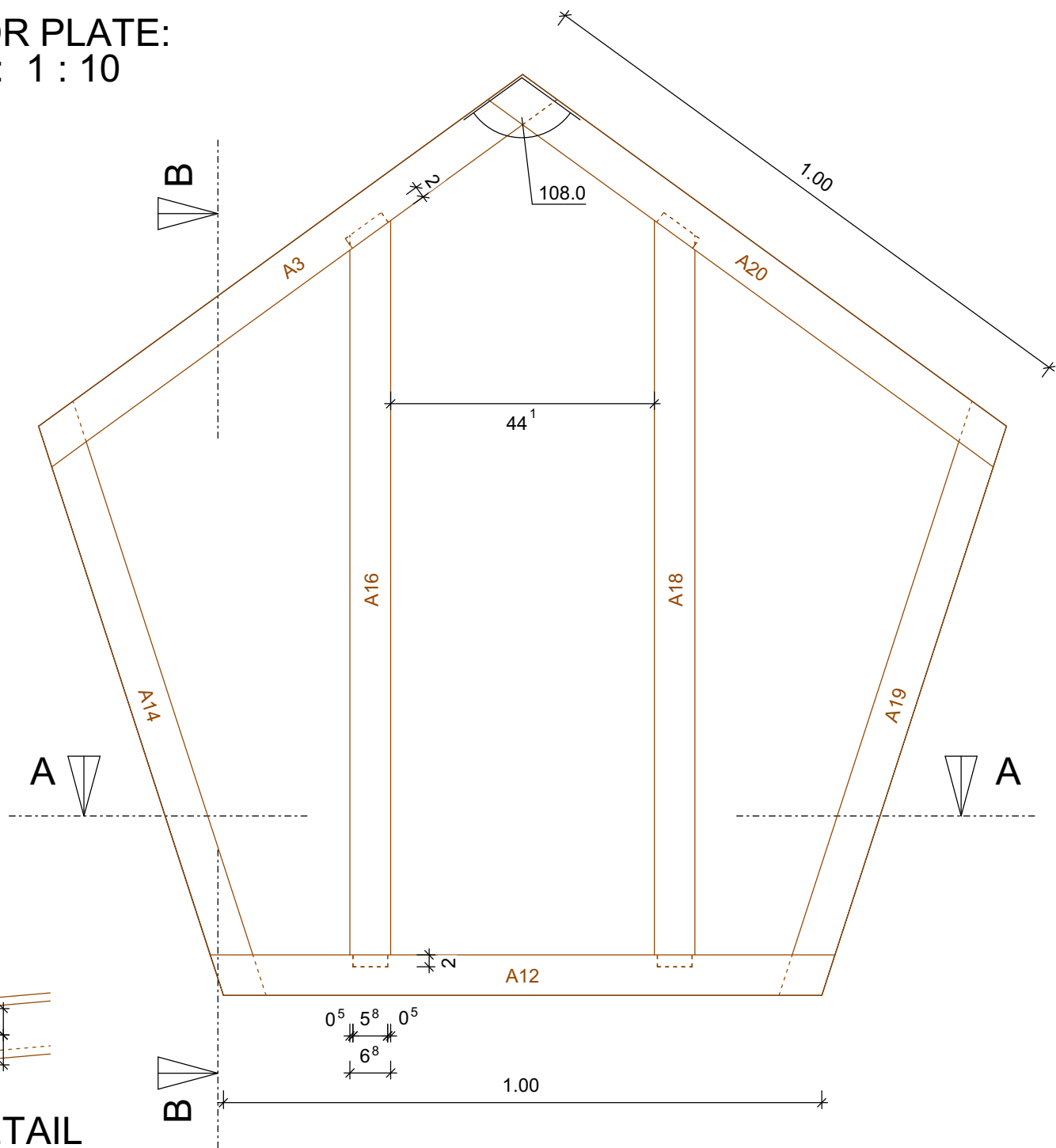
FRONT - ELEVATION

Test Project for 41ST WorldSkills
 Competition in London, United Kingdom 2011
 Copyright © 2009 WorldSkills International.
 All Rights Reserved.

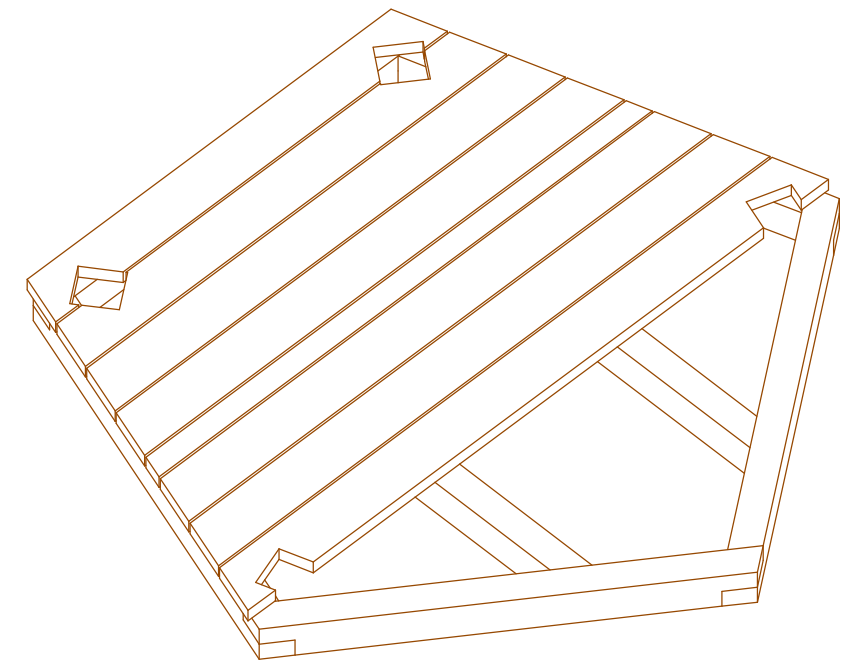


Skill: Carpentry No: 26			OR	
Scale: = 1:20	Date: 08.07.2011	Paper: A3		
Drawn / Design by: Richard Hable AT			Drawing No: 00	
Description: ÜBERSICHT - MODULE: A / B1 / B2 / C / D / E			Rev:	Page: 1 of 7

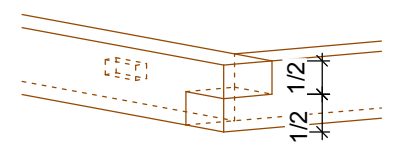
FLOOR PLATE:
Scale: 1 : 10



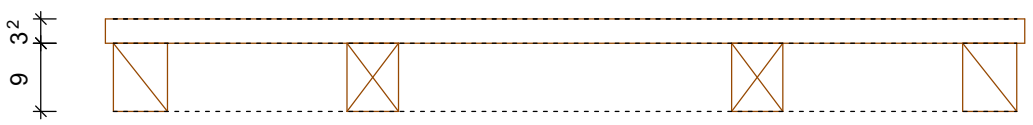
CUT B - B



ISOMETRY
Scale: 1 : 15



CORNER - DETAIL



CUT A - A

WOOD LIST: in cm

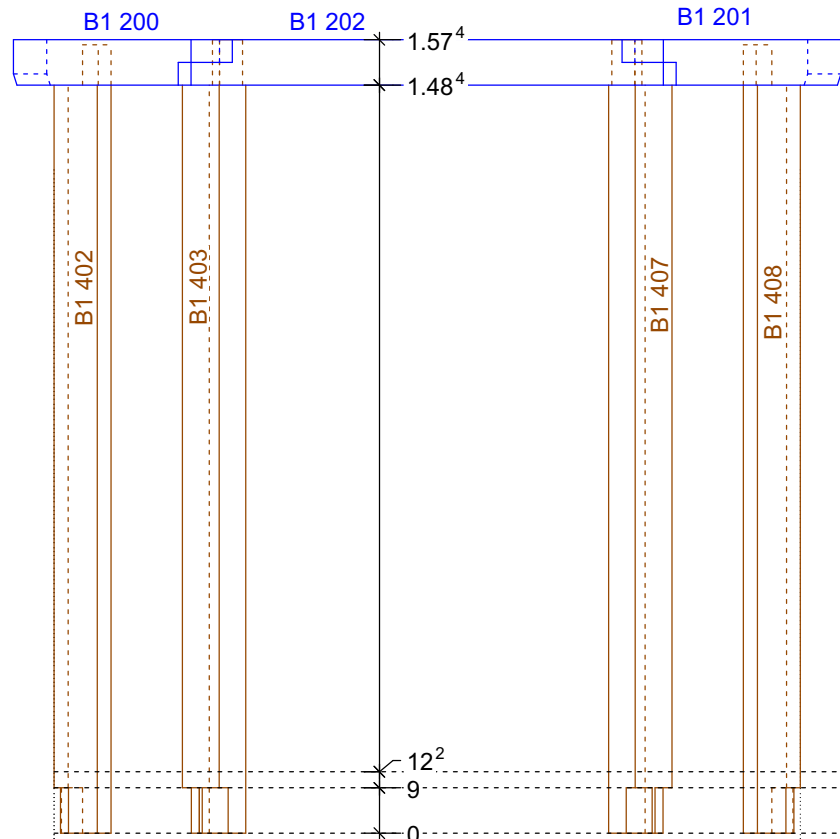
- Profile: 6.8 x 9.0
- A 3 : 110.0 1x
- A 12 : 110.0 1x
- A 14 : 110.0 1x
- A 16 : 130.0 1x
- A 18 : 130.0 1x
- A 19 : 110.0 1x
- A 20 : 110.0 1x

Skill: Carpentry No: 26			OR
Scale: = 1 : 10 / 15	Date: 08. 07. 2011	Paper: A3	
Drawn / Design by: Richard Hable AT		Drawing No: Nr: 01	
Description: MODULE: A / FLOOR PLATE		Rev:	Page: 2 of 7

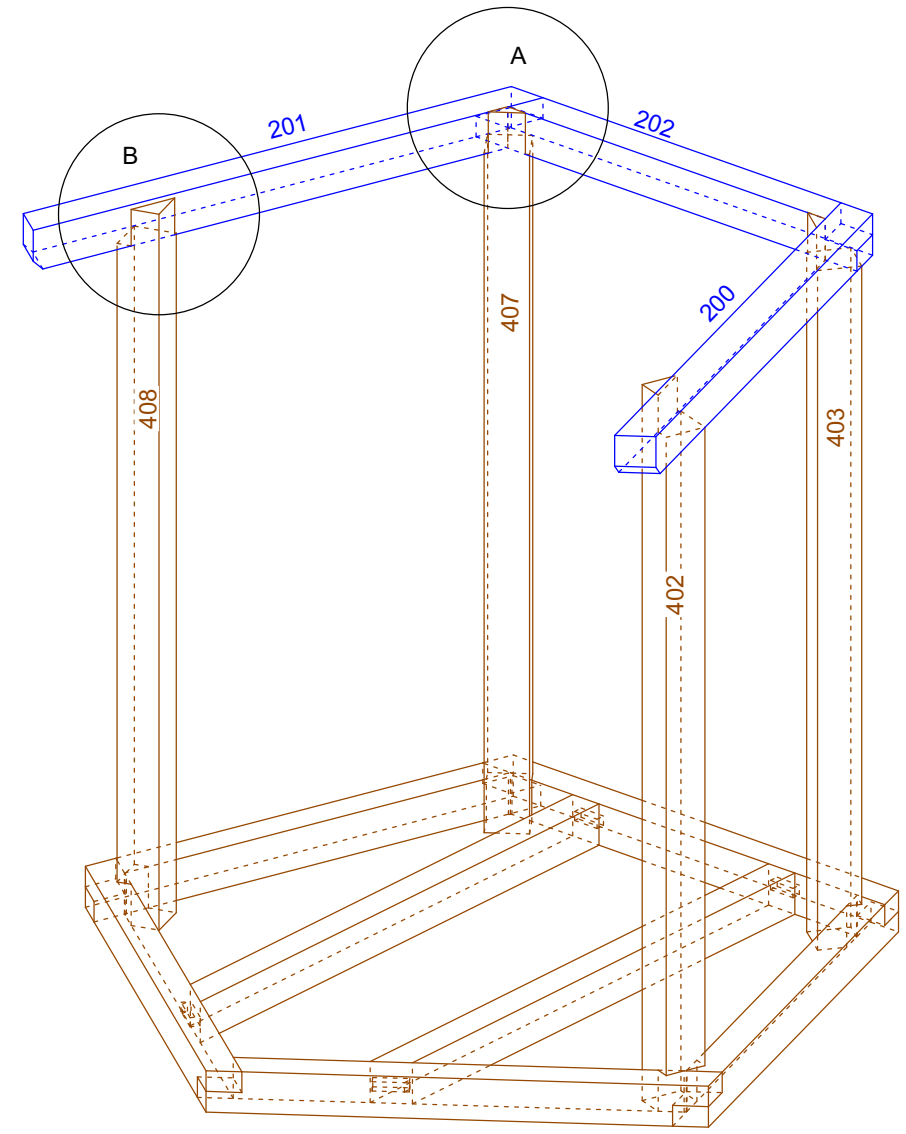
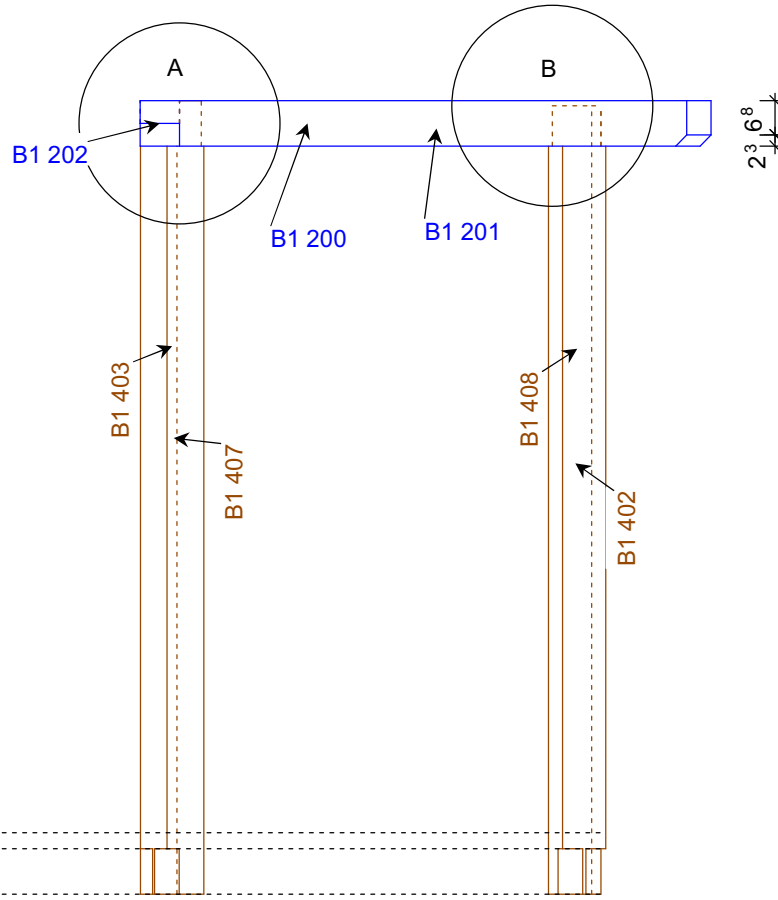


Test Project for 41ST WorldSkills
Competition in London, United Kingdom 2011
Copyright © 2009 WorldSkills International.
All Rights Reserved.

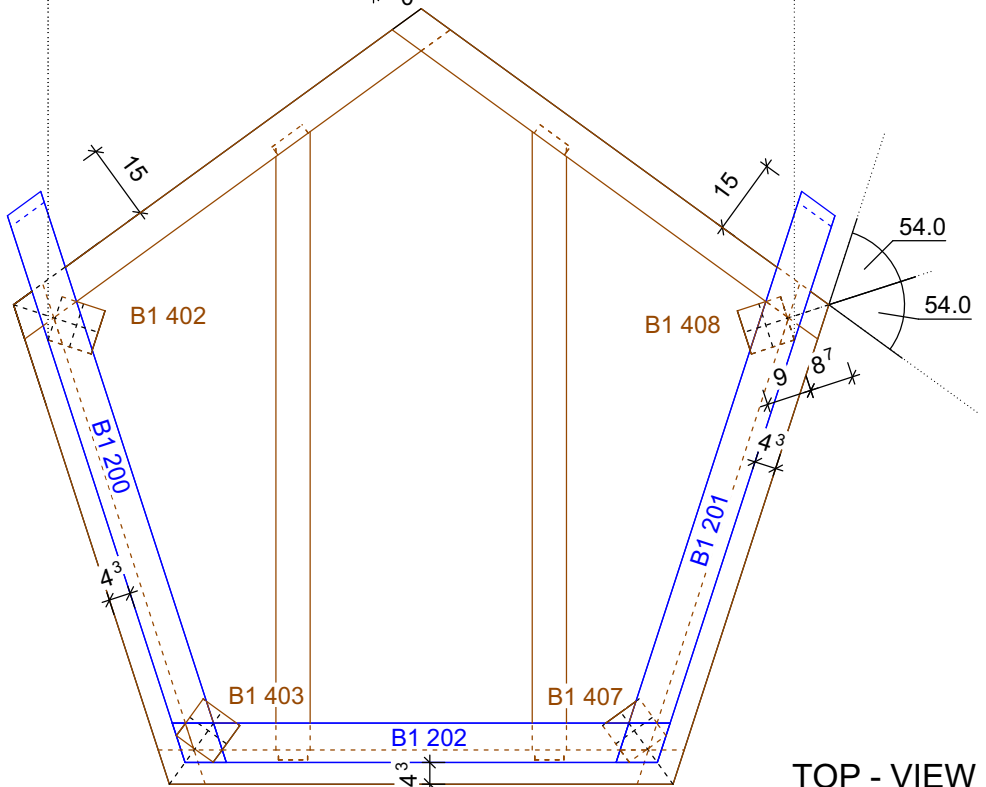
REAR - ELEVATION
Scale: 1 : 15



SIDE - ELEVATION
Scale: 1 : 15



ISOMETRY
Scale: 1 : 15

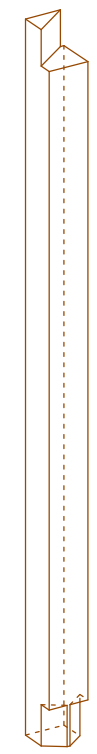


TOP - VIEW
WALL PLATE
Scale: 1 : 15

WOOD LIST: in cm

- Profile: 9.0 x 9.0
- B1 402: 160.0 1x
- B1 403: 160.0 1x
- B1 407: 160.0 1x
- B1 408: 160.0 1x

- Profile: 7.8 x 9.0
- B1 200: 125.0 1x
- B1 201: 125.0 1x
- B1 202: 110.0 1x



Skill: Carpentry No: 26			OR	
Scale: = 1 : 15	Date: 08. 07. 2011	Paper: A3		
Drawn / Design by: Richard Hable AT			Drawing No: Nr: 02	
Description: MODULE: B.1 / WALL PLATE			Rev:	Page: 3 of 7

Test Project for 41ST WorldSkills
Competition in London, United Kingdom 2011
Copyright © 2009 WorldSkills International.
All Rights Reserved.



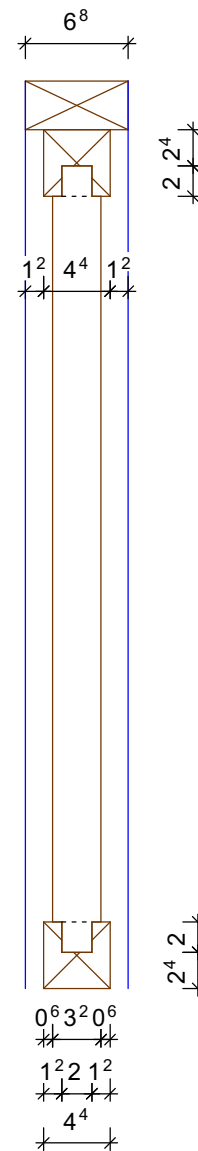
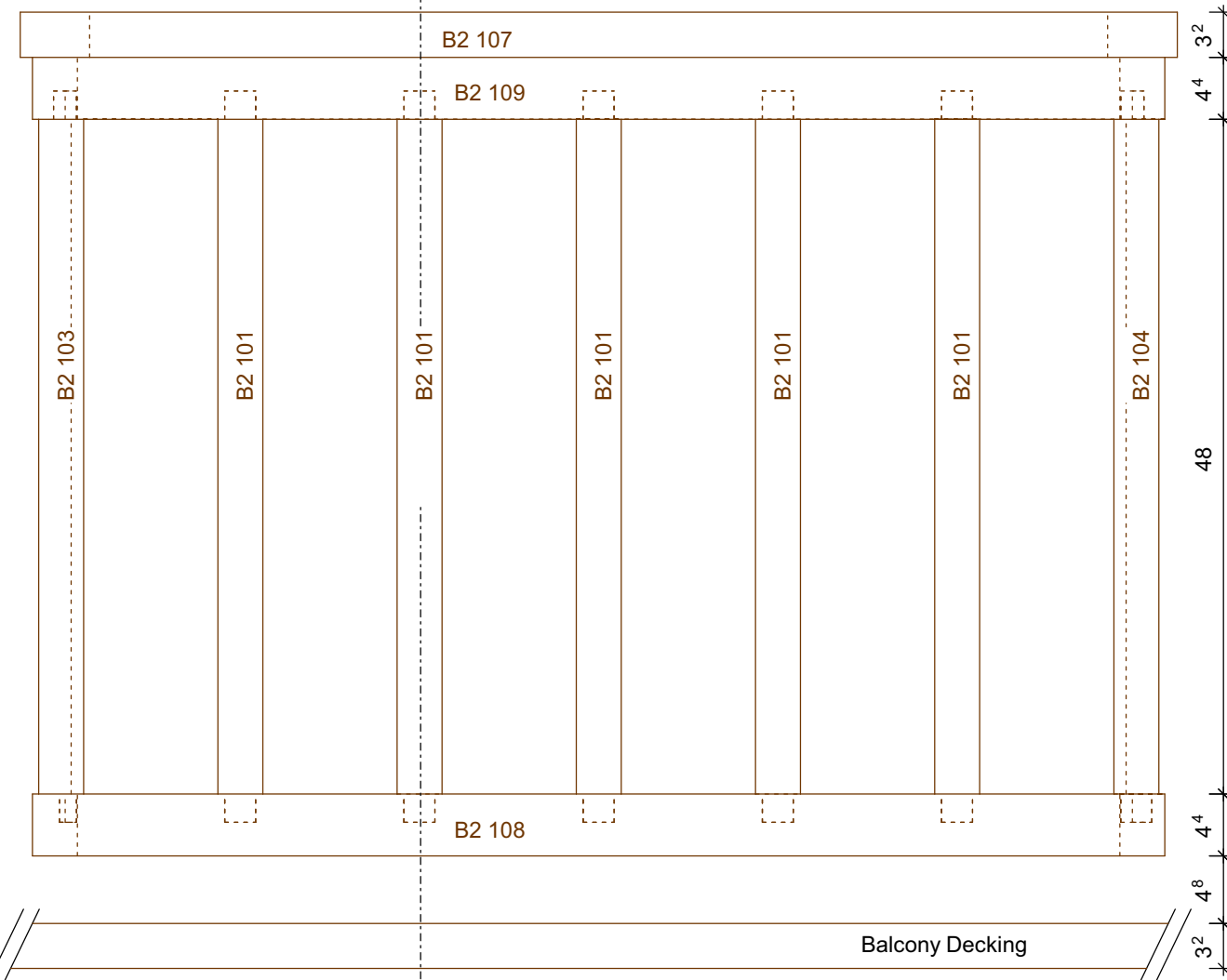
BALCONY BALUSTRADE - ELEVATION / 3 X

WOOD LIST: in cm / > 3x

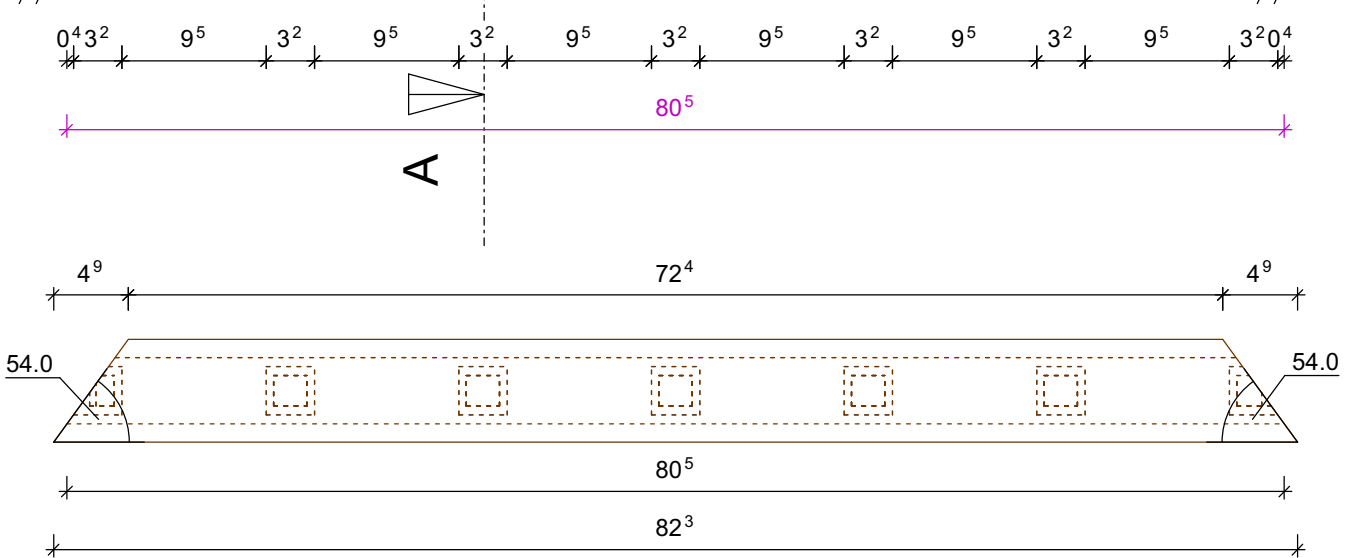
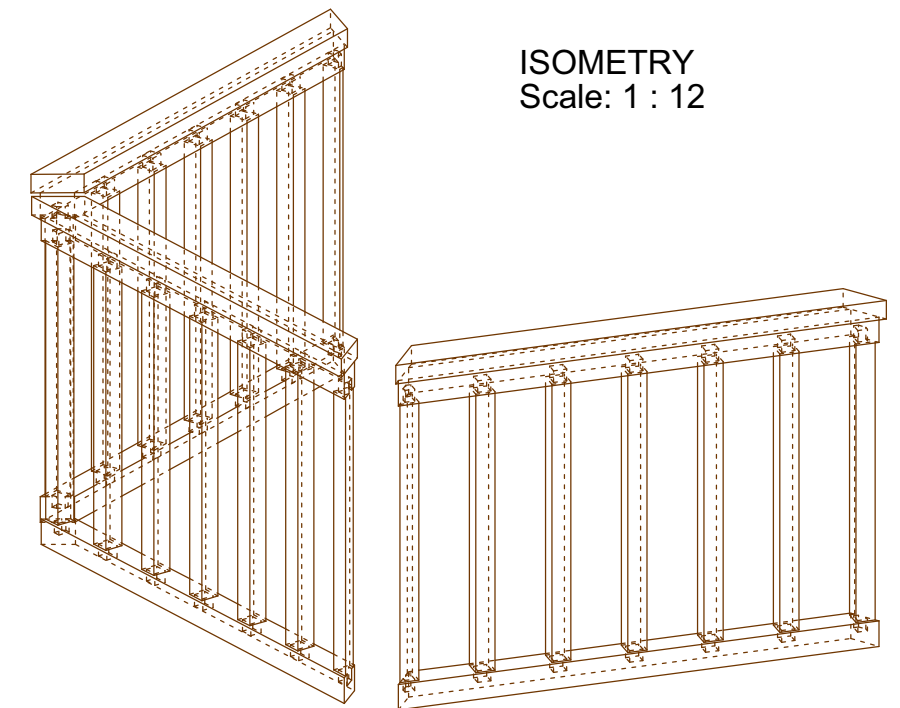
Profile: 3.2 x 3.2
 B2 101: 60.0 5x >15x
 B2 103: 60.0 1x >3x
 B2 104: 60.0 1x >3x

Profile: 3.2 x 6.8
 B2 107: 90.0 1x >3x

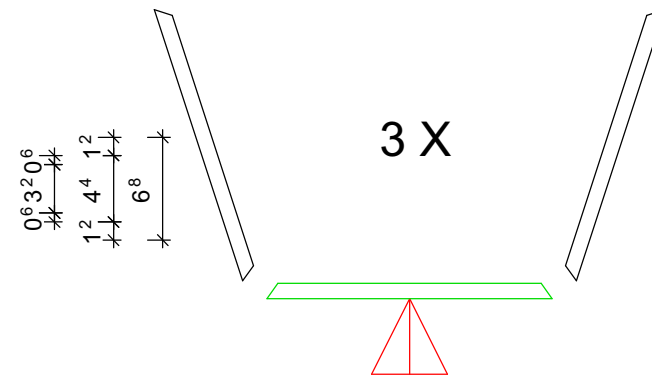
Profile: 4.4 x 4.4
 B2 108: 90.0 1x >3x
 B2 109: 90.0 1x >3x




CUT A - A



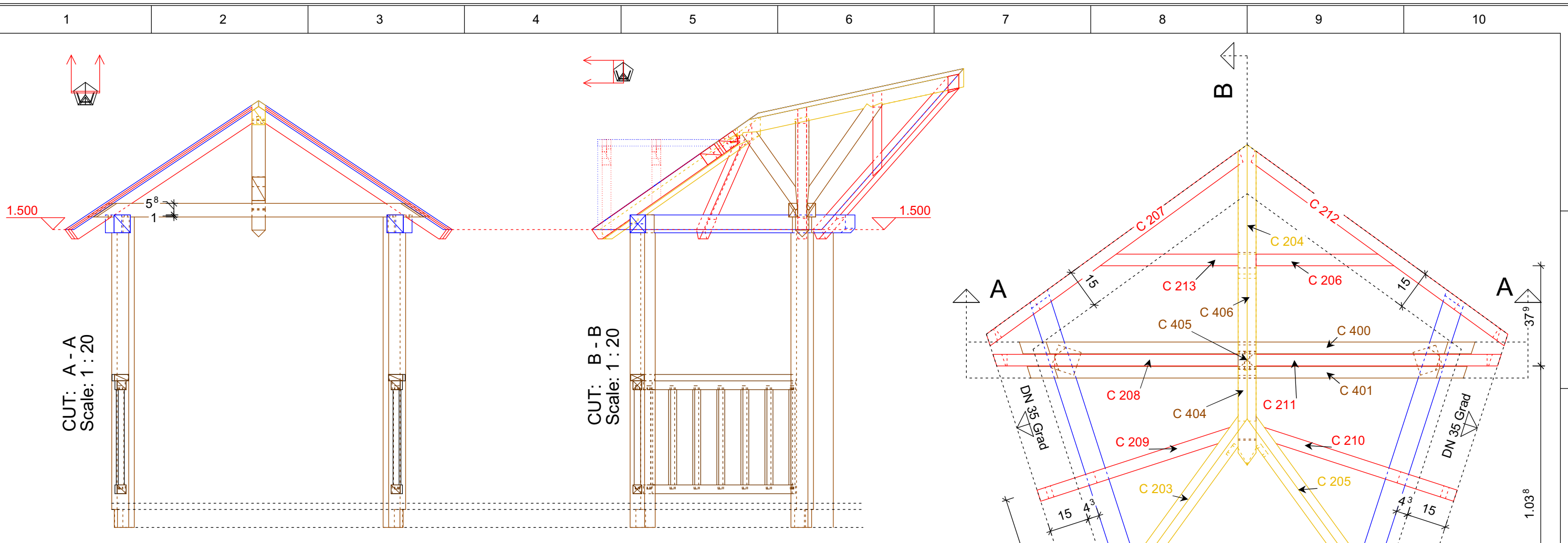
TOP - VIEW / BALCONY BALUSTRADE



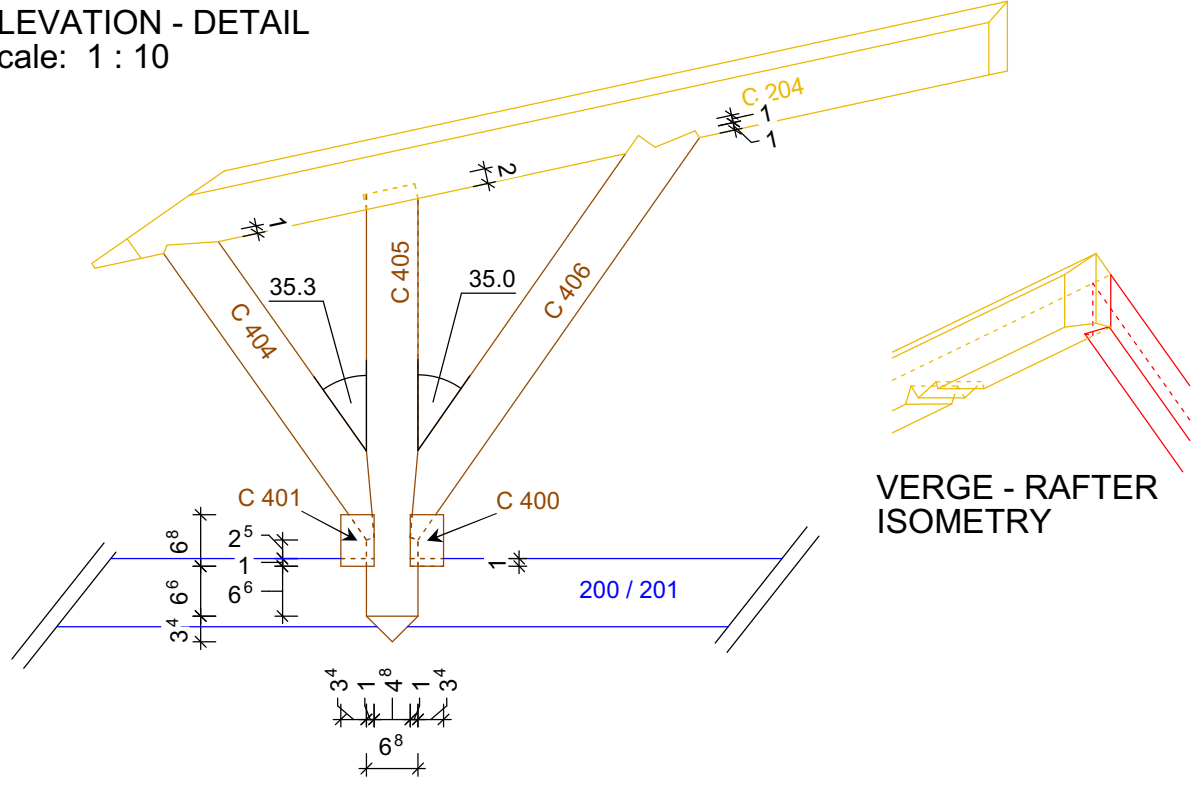
Test Project for 41ST WorldSkills Competition in London, United Kingdom 2011
 Copyright © 2009 WorldSkills International.
 All Rights Reserved.



Skill: Carpentry No: 26	OR	
Scale: = 1 : 5 / 12	Date: 08. 07. 2011	Paper: A3
Drawn / Design by: Richard Hable AT	Drawing No: Nr: 03	
Description: MODULE: B.2 / BALUSTRADE	Rev:	Page: 4 of 7



ELEVATION - DETAIL
Scale: 1 : 10



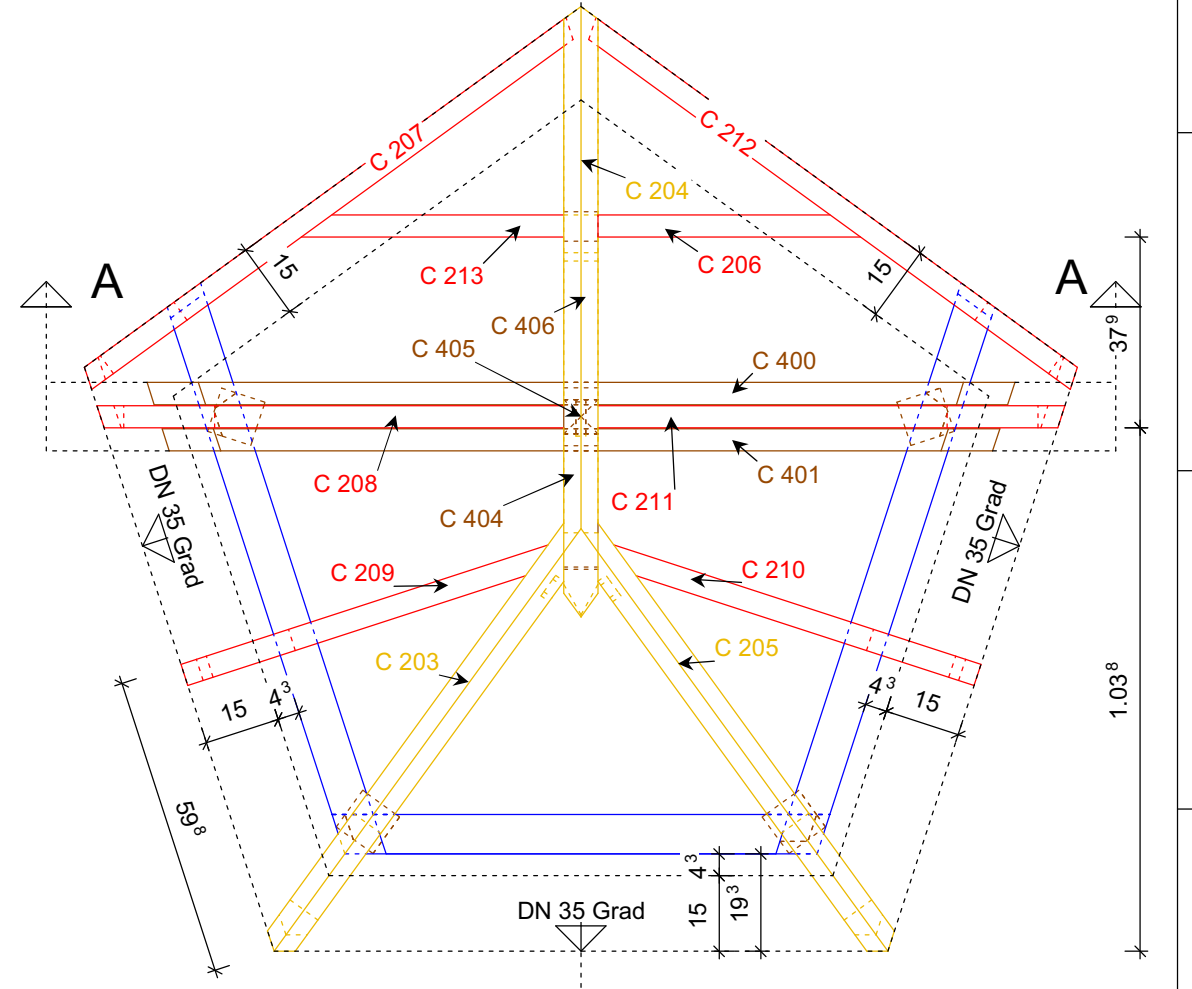
VERGE - RAFTER
ISOMETRY

WOOD LIST: in cm

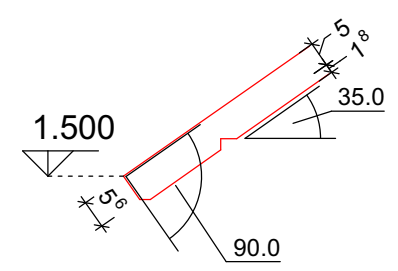
- Profile: 4,4 x 6,8
- C 213: 80,0 1x
- C 206: 80,0 1x
- C 207: 150,0 1x
- C 212: 150,0 1x
- C 208: 120,0 1x
- C 211: 120,0 1x
- C 209: 100,0 1x
- C 210: 100,0 1x
- C 400: 180,0 1x
- C 401: 180,0 1x

- Profile: 6,8 x 6,8
- C 406: 80,0 1x
- C 405: 70,0 1x
- C 404: 60,0 1x

- Profile: 6,8 x 9,0
- C 204: 140,0 1x
- C 203: 130,0 1x
- C 205: 130,0 1x




TOP - VIEW / ROOF
Scale: 1 : 15



NORMAL-PROFILE:

DN: 35 GRAD
EAVES HEIGHT: 1.50 m
Rectangular Obholz: 5 cm

Test Project for 41ST WorldSkills
Competition in London, United Kingdom 2011
Copyright © 2009 WorldSkills International.
All Rights Reserved.



Skill: Carpentry No: 26		OR	
Scale: = 1 : 20	Date: 08. 07. 2011	Paper: A3	
Drawn / Design by: Richard Hable AT		Drawing No: Nr: 04	
Description: MODULE: C / ROOF		Rev:	Page: 5 of 7

1 2 3 4 5 6 7 8 9 10

A

B

C

D

E

F

A

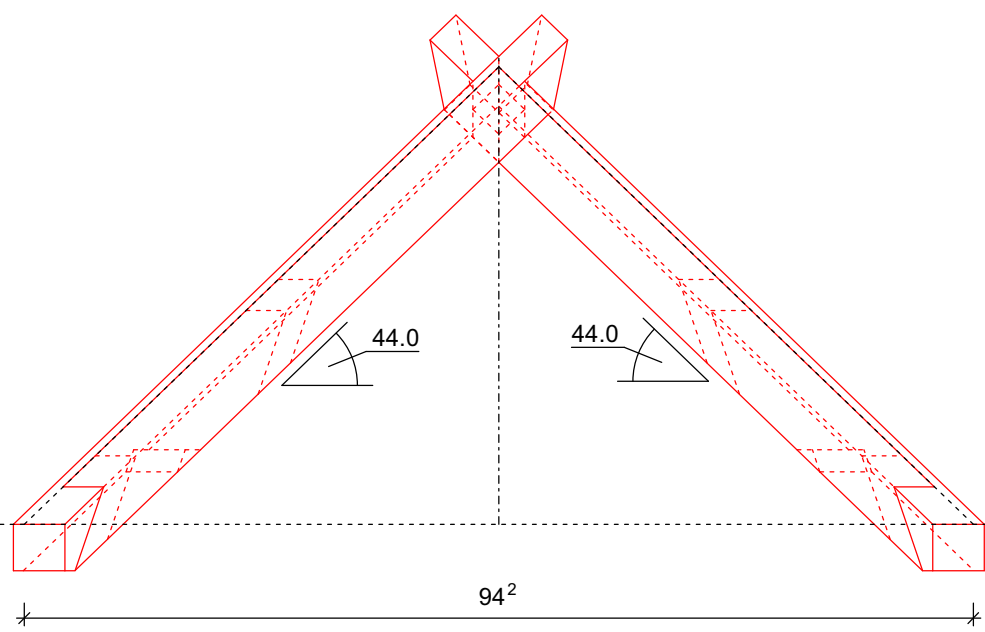
B

C

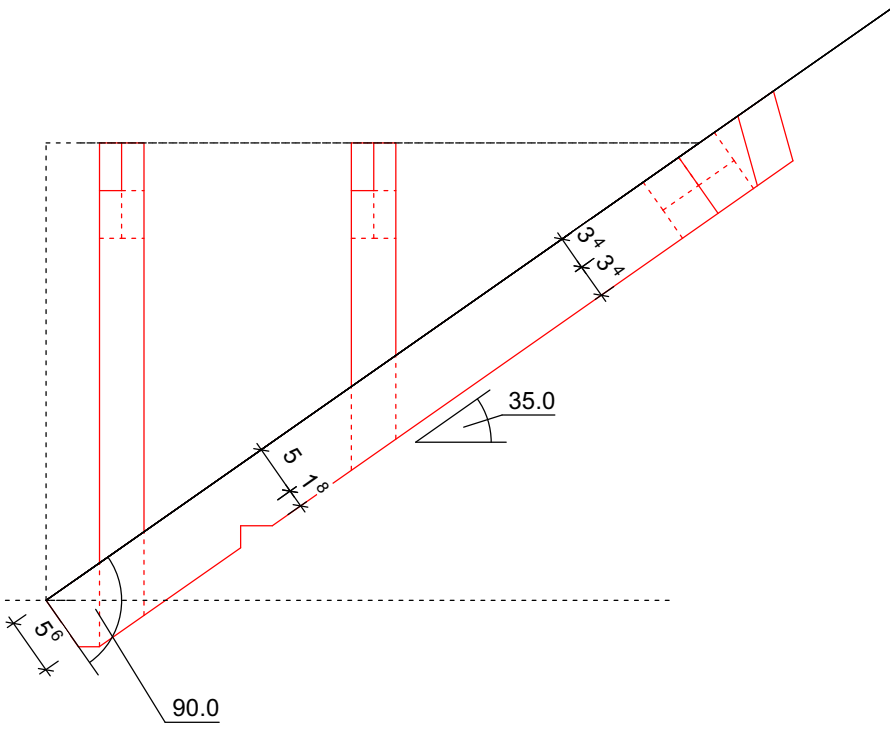
D

E

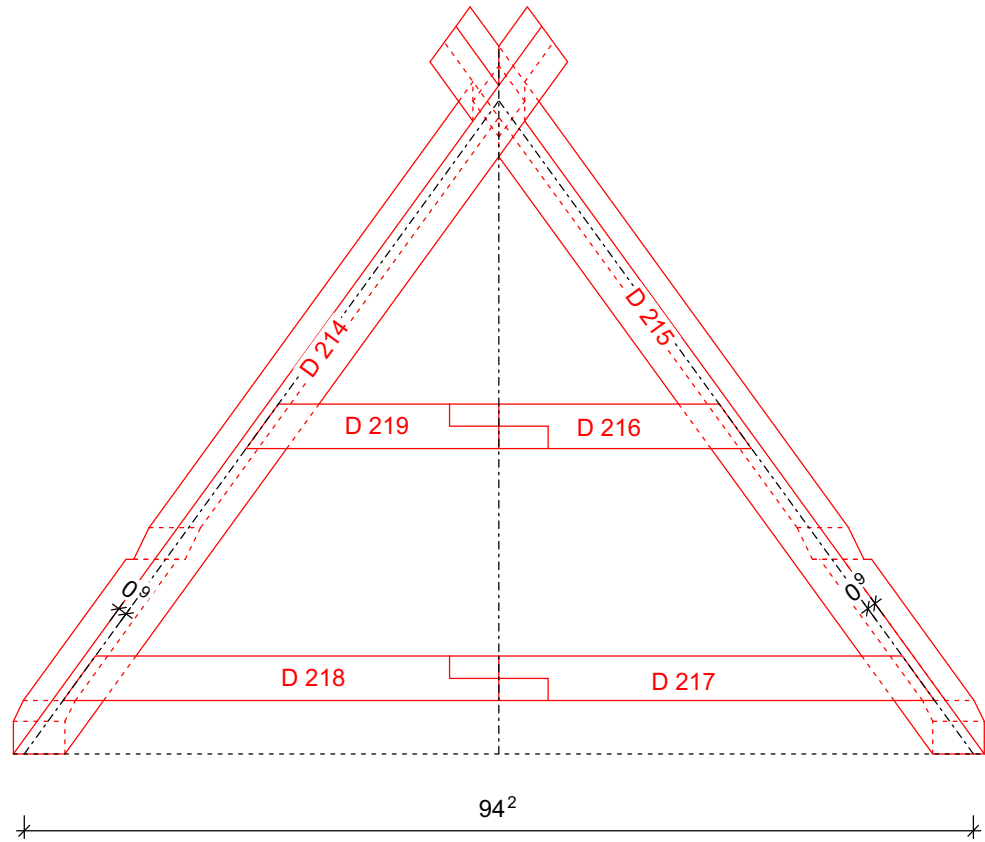
F



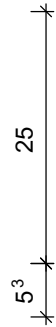
FRONT - ELEVATION: DORMER



SIDE - ELEVATION: DORMER

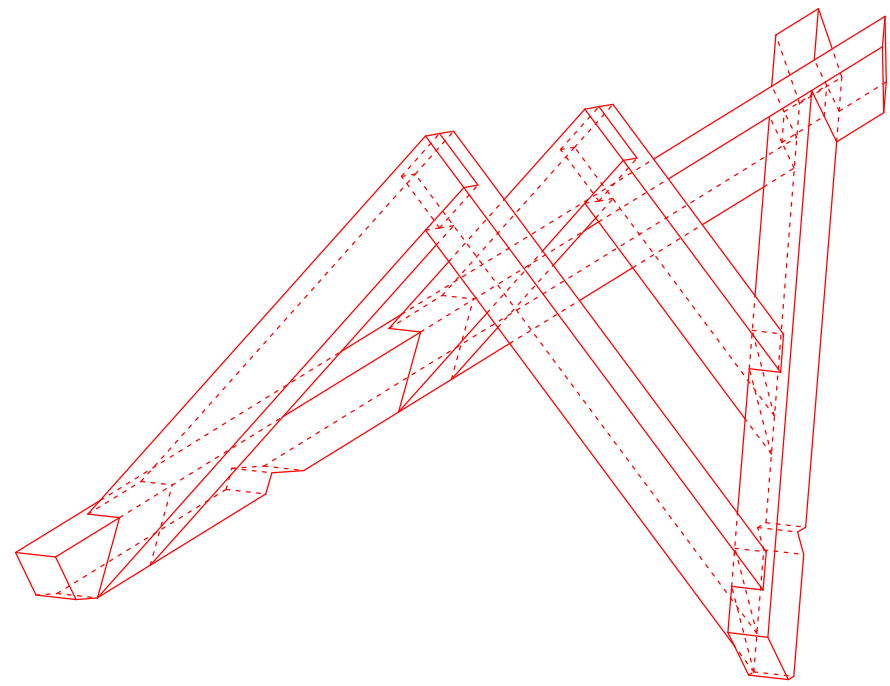


TOP - VIEW / DORMER




WOOD LIST: in cm

- Profile: 4.4 x 6.8
- D 214: 115.0 1x
- D 215: 115.0 1x
- D 216: 50.0 1x
- D 219: 50.0 1x
- D 217: 80.0 1x
- D 218: 80.0 1x



ISOMETRY

Test Project for 41ST WorldSkills
 Competition in London, United Kingdom 2011
 Copyright © 2009 WorldSkills International.
 All Rights Reserved.



Skill: Carpentry No: 26		OR	
Scale: = 1 : 7.5	Date: 08. 07. 2011	Paper: A3	
Drawn / Design by: Richard Hable AT		Drawing No: Nr: 05	
Description: MODULE: D / DORMER		Rev:	Page: 6 of 7

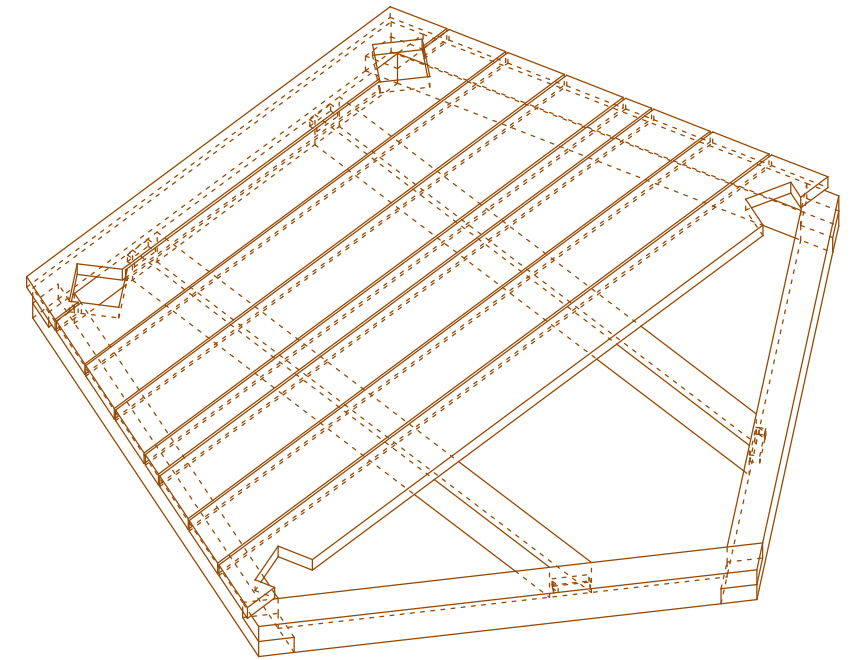
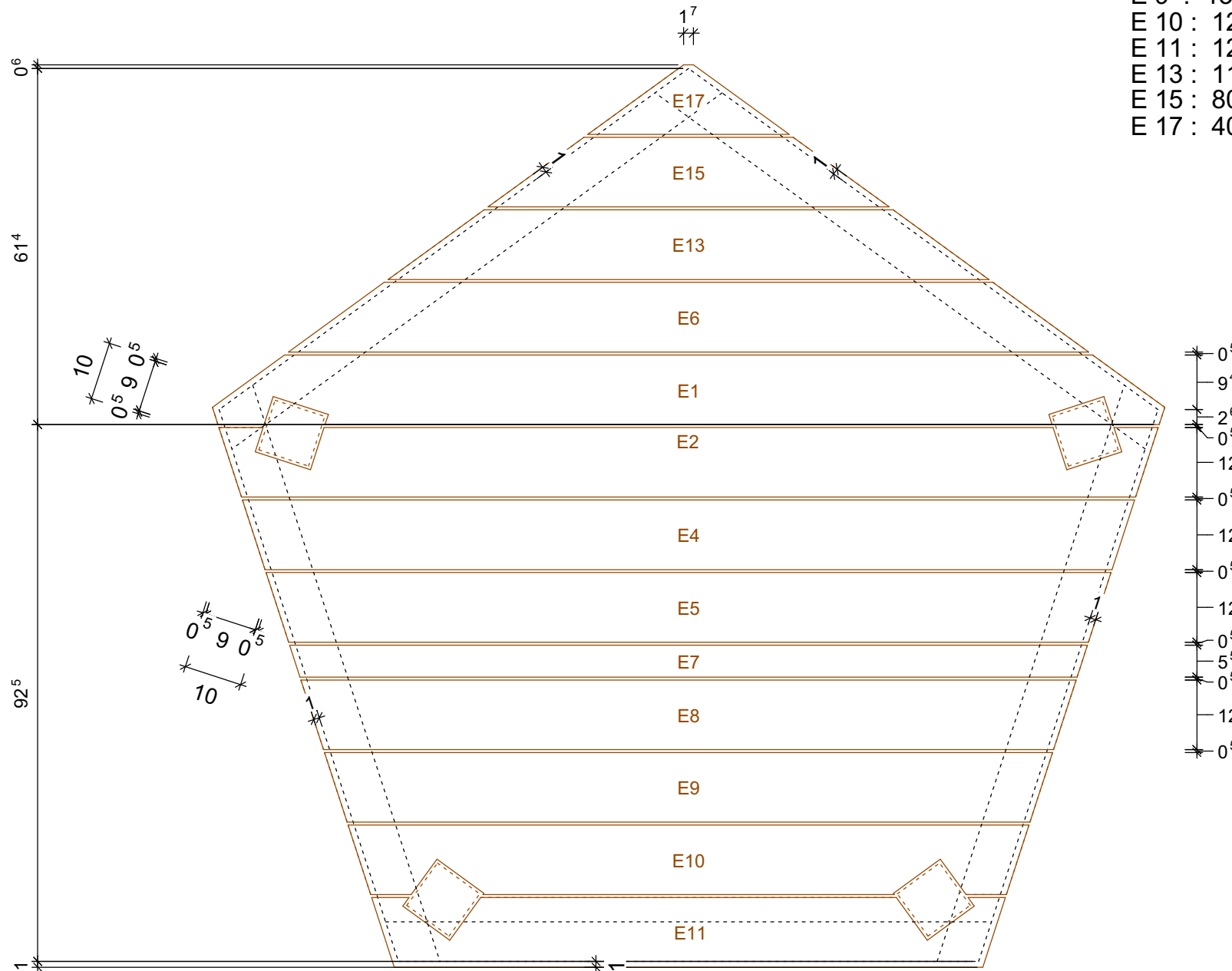
1 2 3 4 5 6 7 8 9 10

TOP - VIEW / FLOOR PLATE:
BALCONY DECKING
Scale: 1 : 10

WOOD LIST: in cm

Profile: 5.5 x 3.2
E 7 : 140.0 1x

Profile: 12.0 x 3.2
E 1 : 170.0 1x
E 2 : 170.0 1x
E 4 : 160.0 1x
E 5 : 150.0 1x
E 6 : 140.0 1x
E 8 : 140.0 1x
E 9 : 130.0 1x
E 10 : 120.0 1x
E 11 : 120.0 1x
E 13 : 110.0 1x
E 15 : 80.0 1x
E 17 : 40.0 1x



ISOMETRY
Scale: 1 : 15

Test Project for 41ST WorldSkills
Competition in London, United Kingdom 2011
Copyright © 2009 WorldSkills International.
All Rights Reserved.



Skill: Carpentry No: 26			OR	
Scale: = 1 : 10 / 15	Date: 08. 07. 2011	Paper: A3		
Drawn / Design by: Richard Hable AT			Drawing No: Nr: 06	
Description: MODULE: E (A2) / BALCONY DECKING			Rev:	Page: 7 of 7