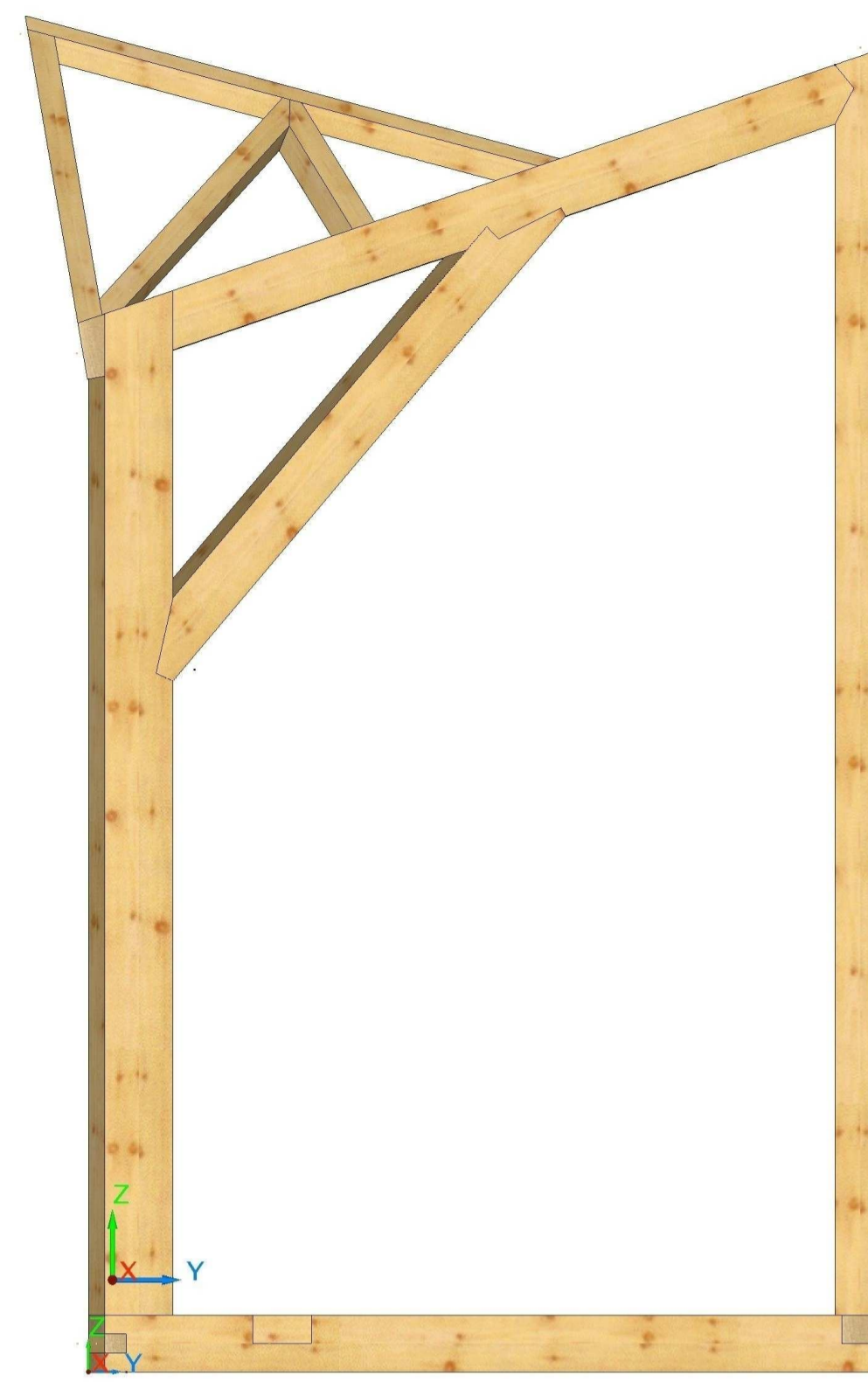




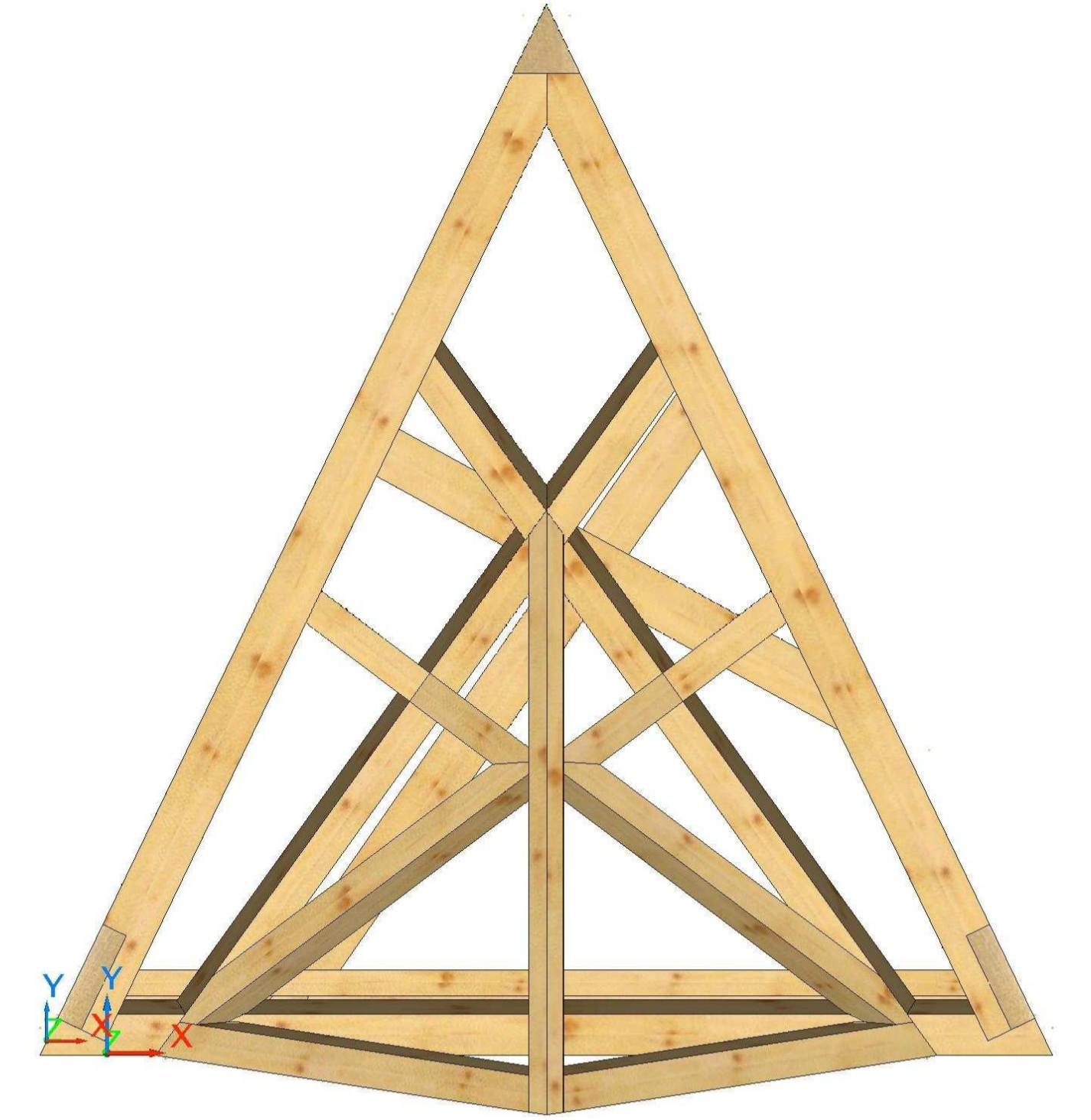
perspective from right



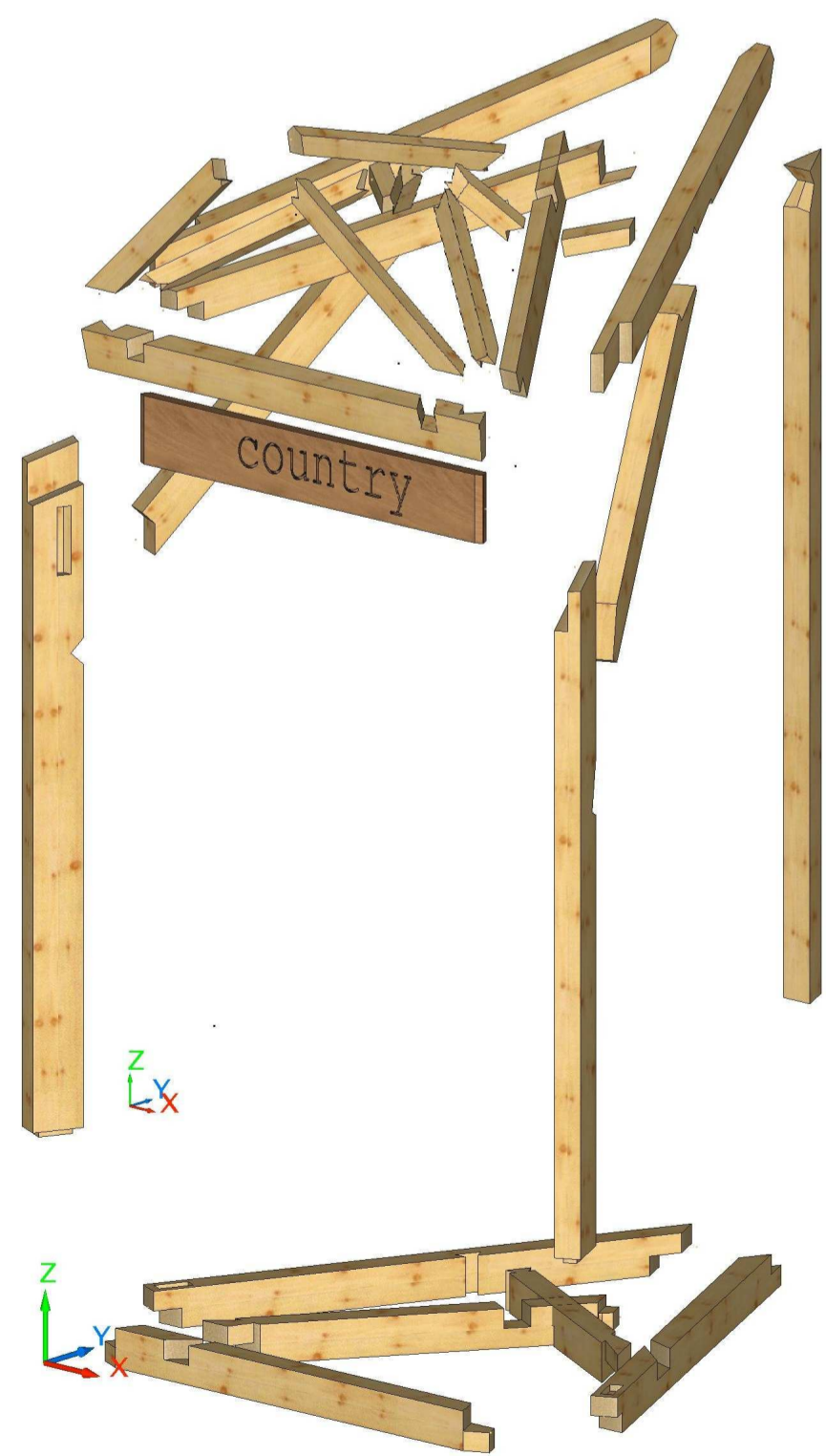
perspective from left



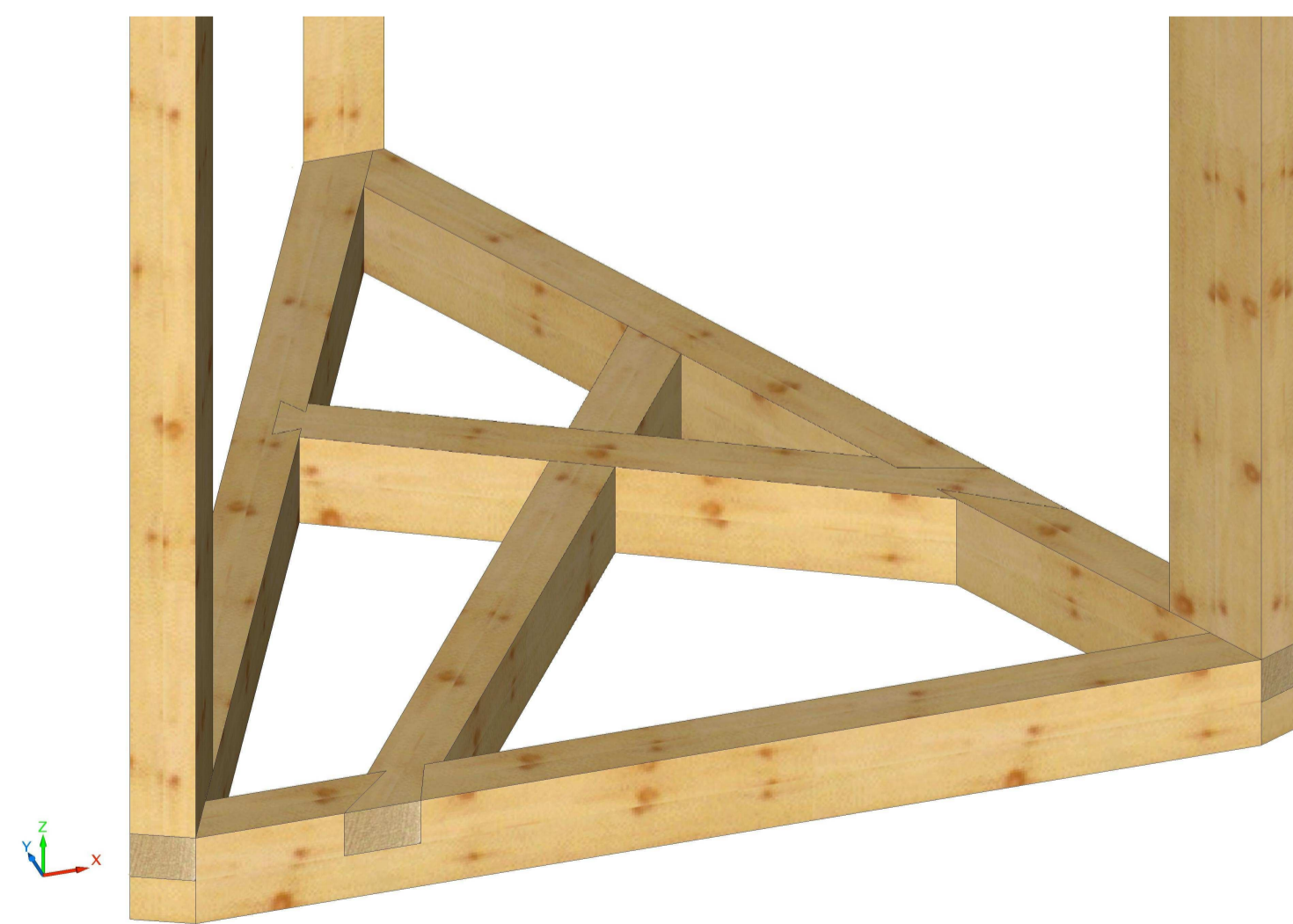
sideview



topview



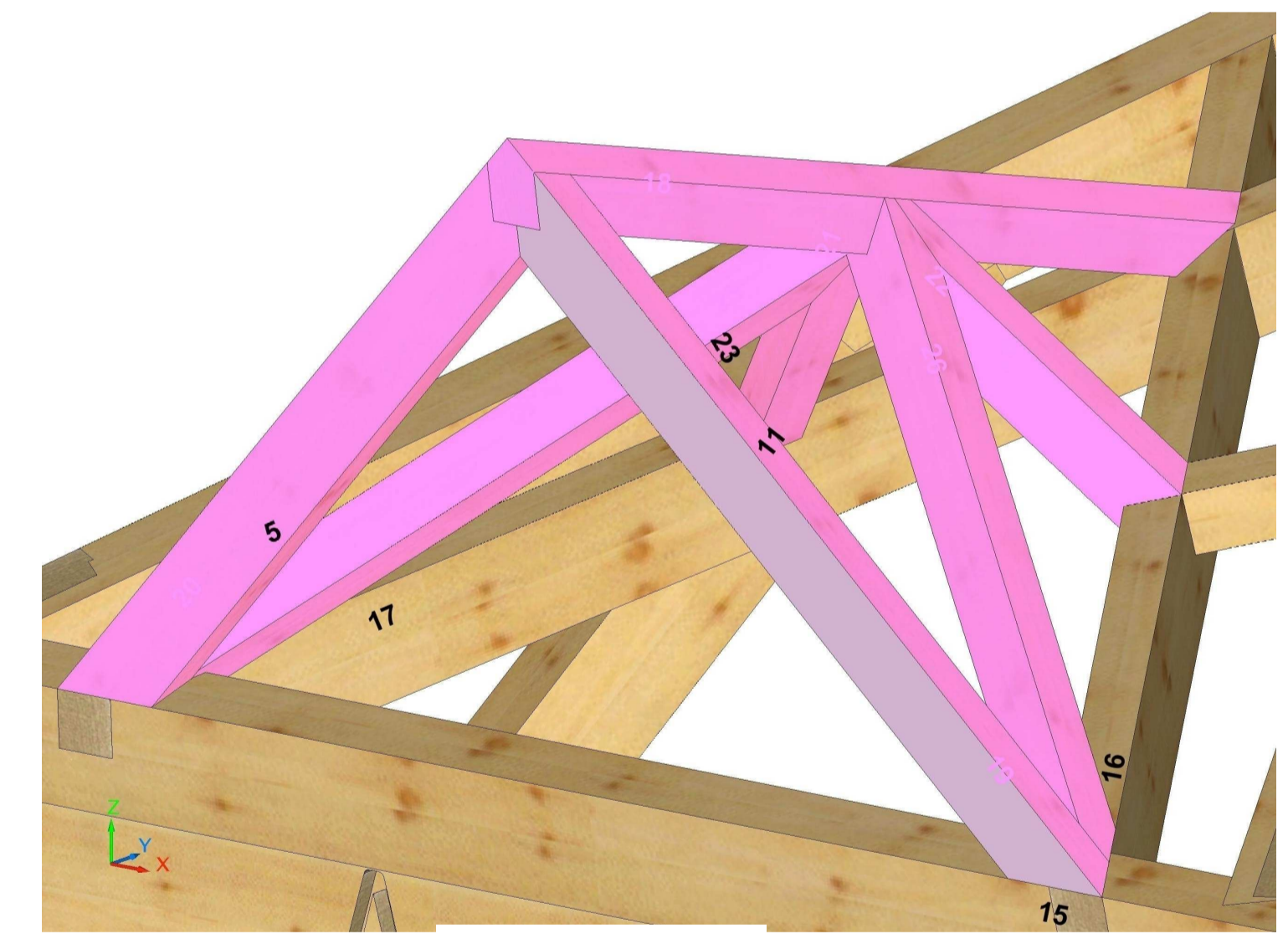
expl. perspective



Module 1



Module 2

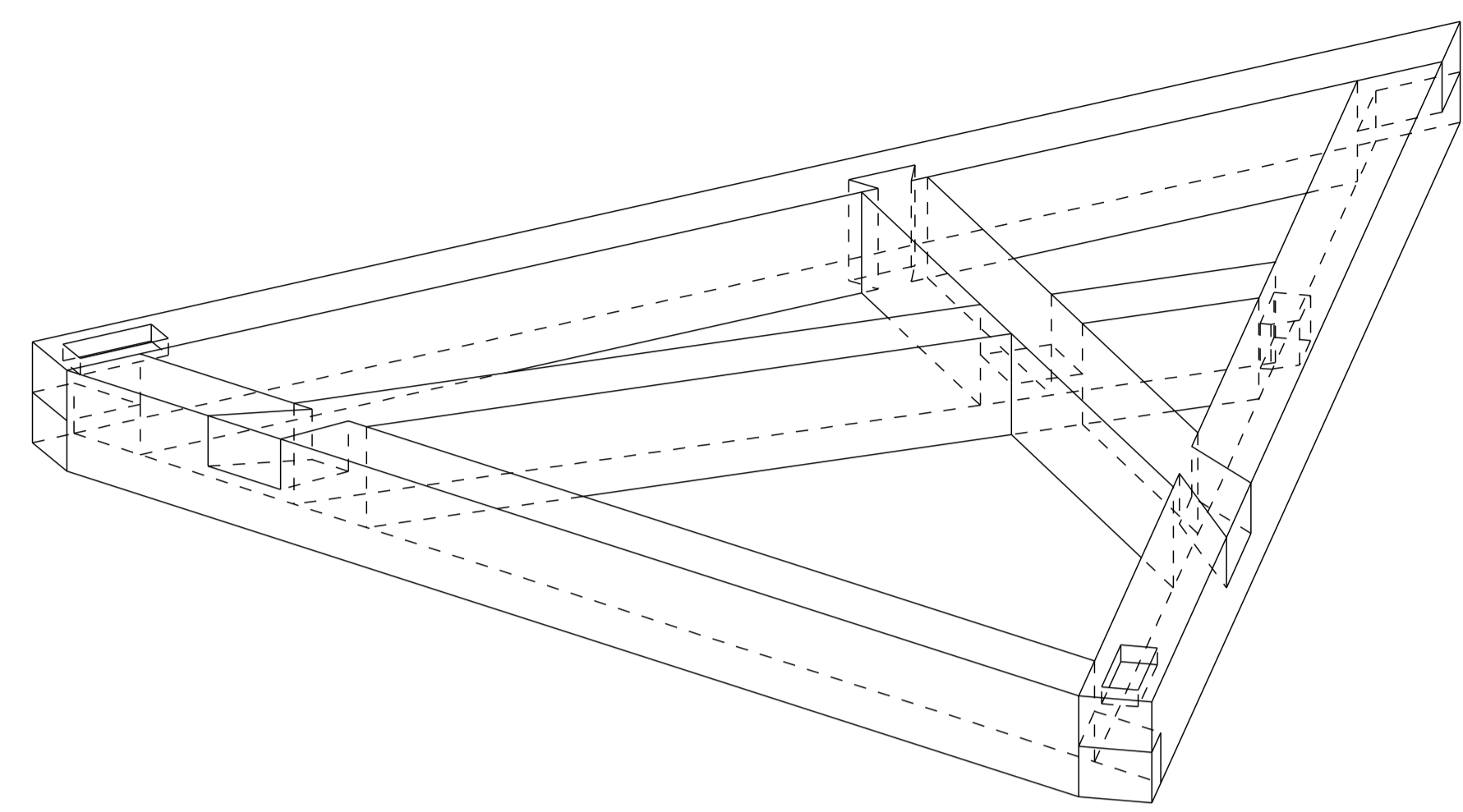
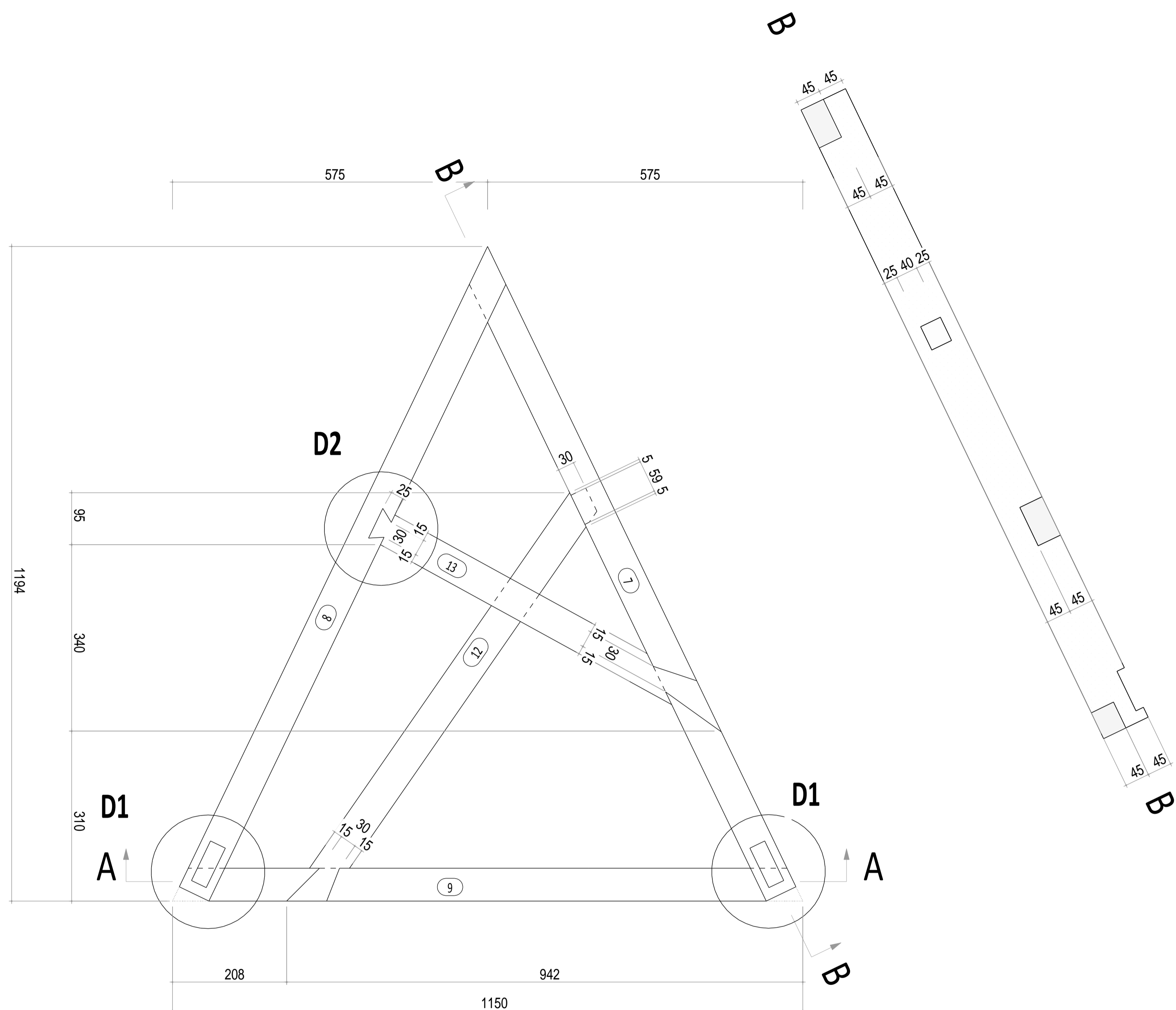


Module 3

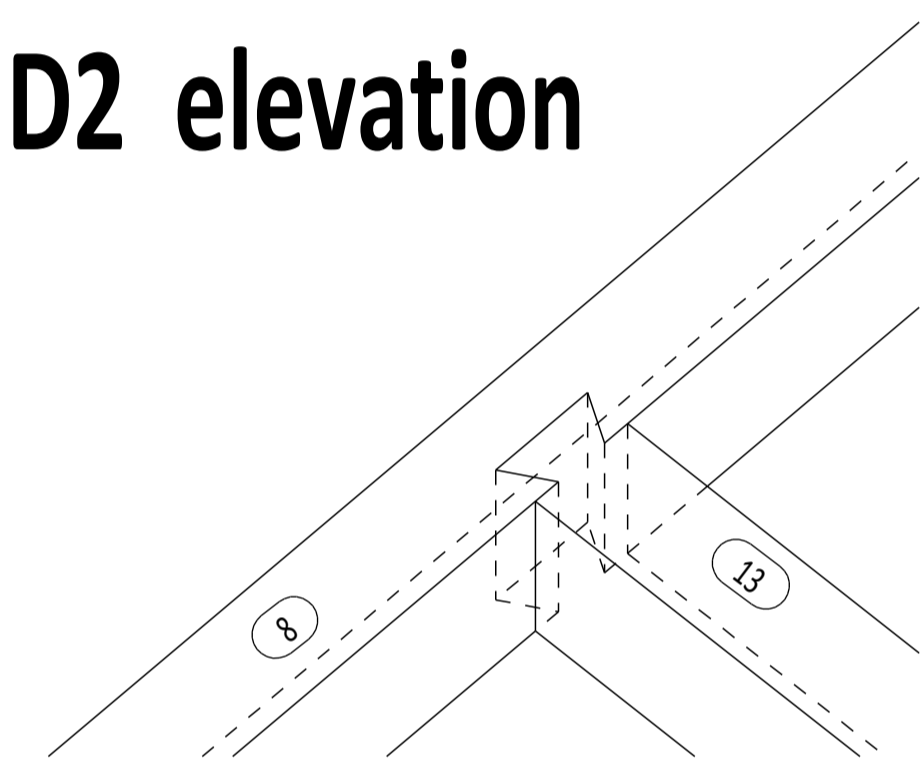
Test Project for the 42nd WorldSkills
Competition in Leipzig, Germany 2013.
Copyright © 2013 WorldSkills
International.
All Rights Reserved.



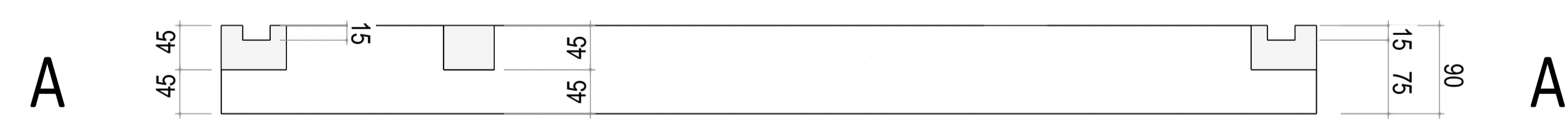
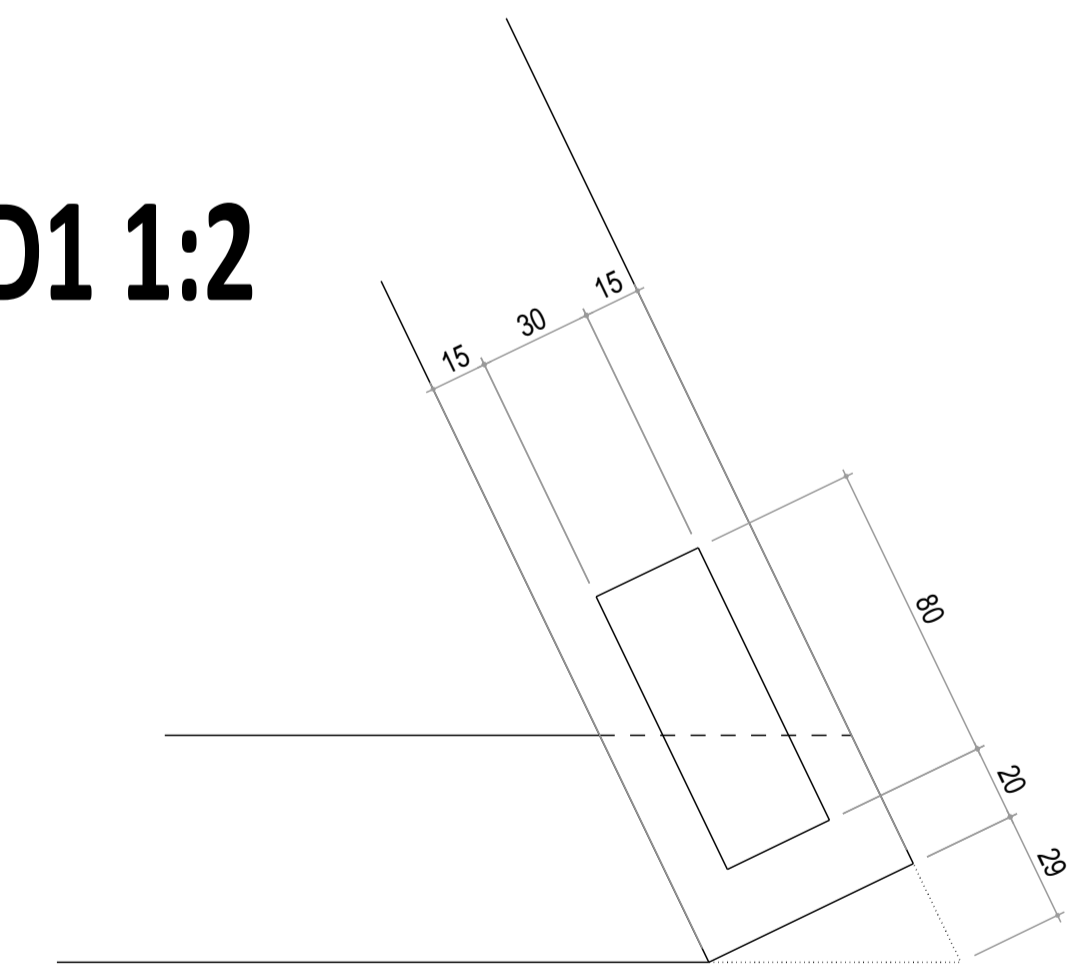
Skill: carpentry	Nr. 26		
Scale: 1:5	Date: 23.05.2013	Paper: A1	
Drawn / Design by: Ch.F. / Ch.W.		Drawing No: WSC2013 TP FL EN	
Description: Views/ Elevations for Experts only		Rev: Page: 1/5	
		App d:	Sign: CW



D2 elevation



D1 1:2



Material list/ Holzliste/ Liste de bois

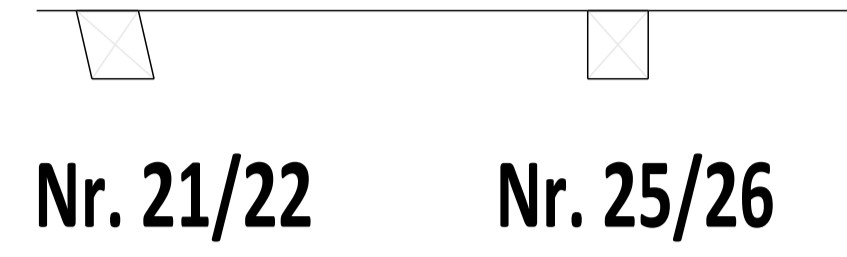
- Nr. 7 1x60/90/1370
- Nr.8 1x60/90/1370
- Nr.9 1x60/90/1190
- Nr.12 1x60/90/1000
- Nr.13 1x60/90/840

Test Project for the 42nd WorldSkills Competition in Leipzig, Germany 2013. Copyright © 2013 WorldSkills International. All Rights Reserved.



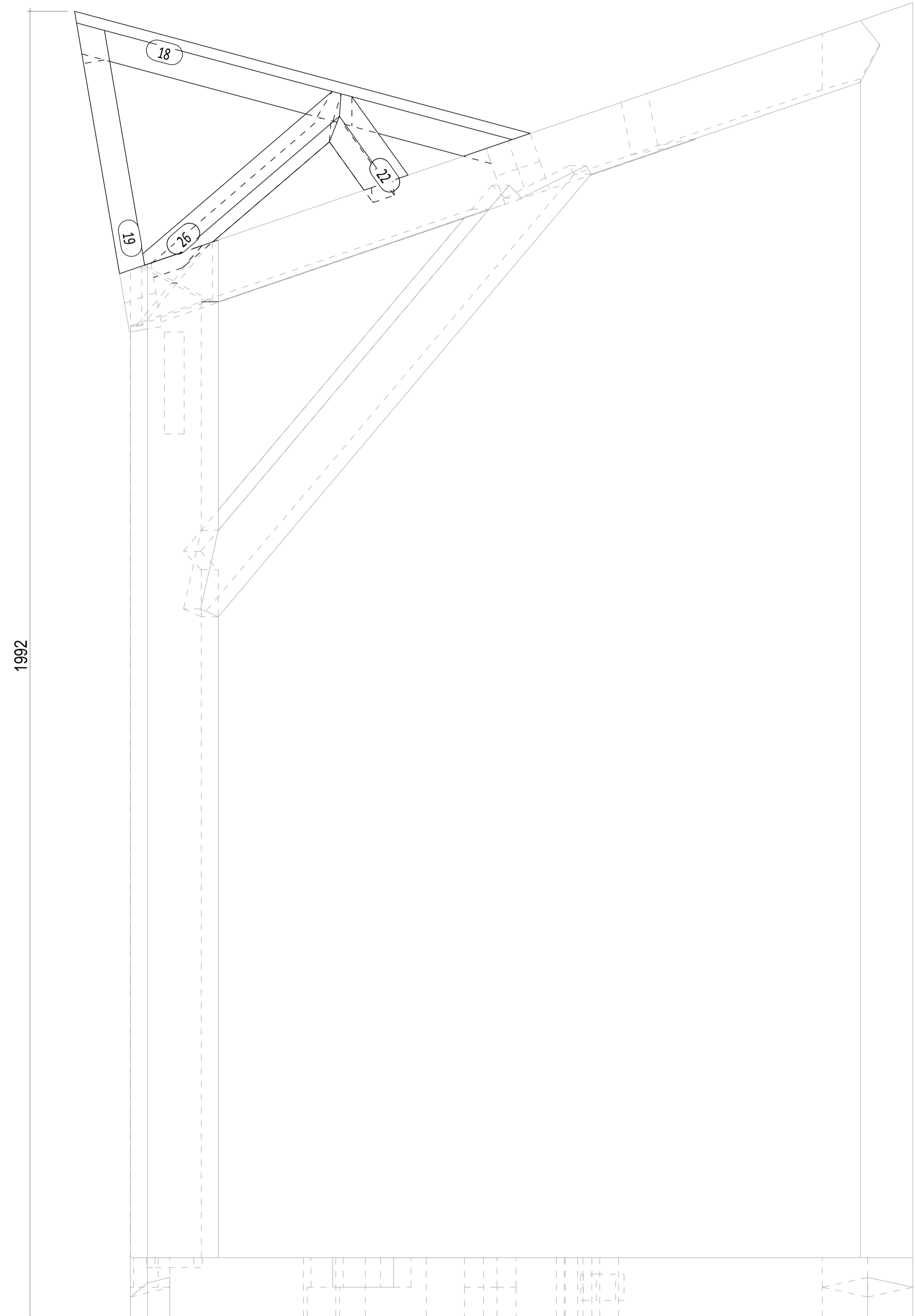
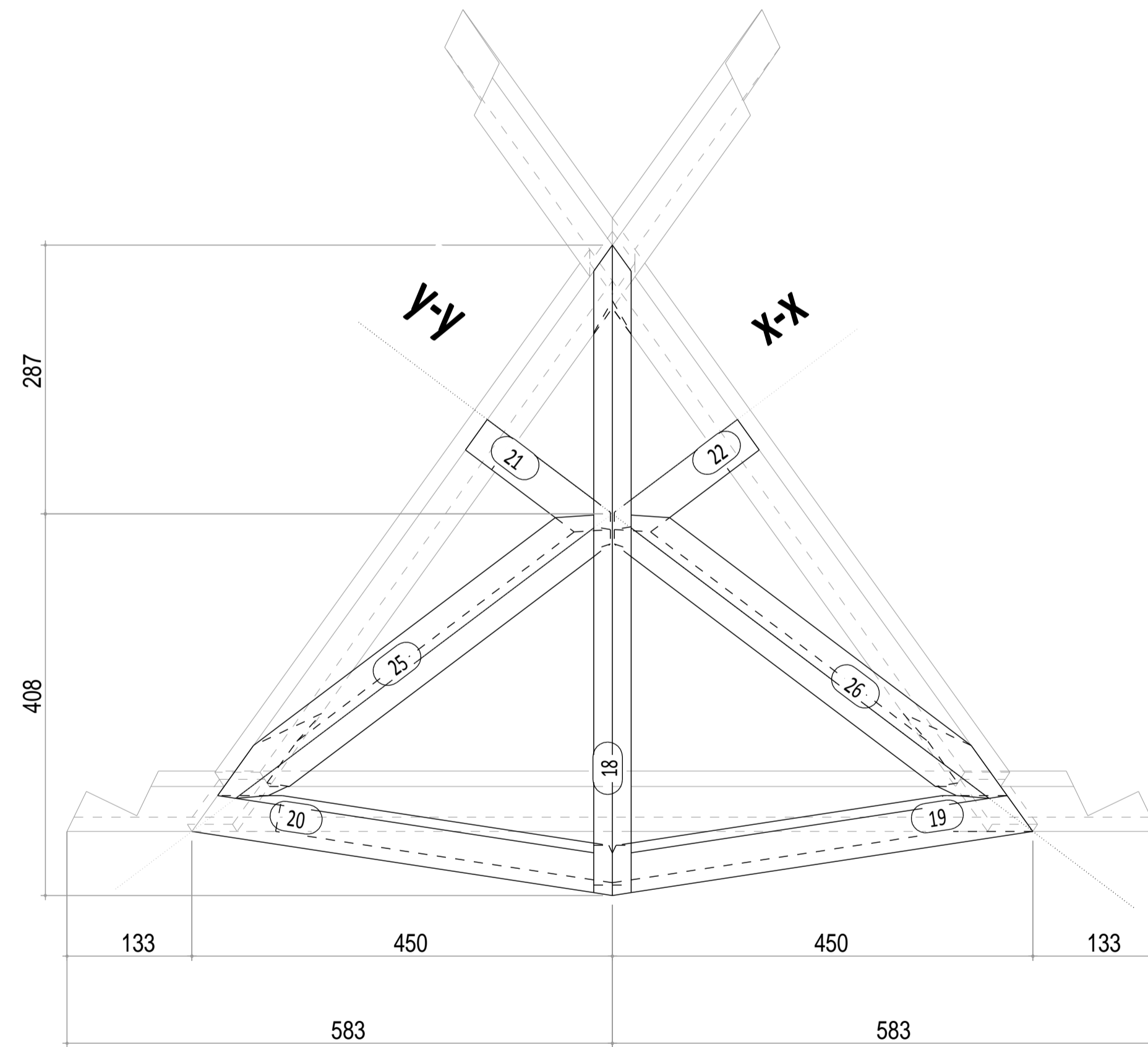
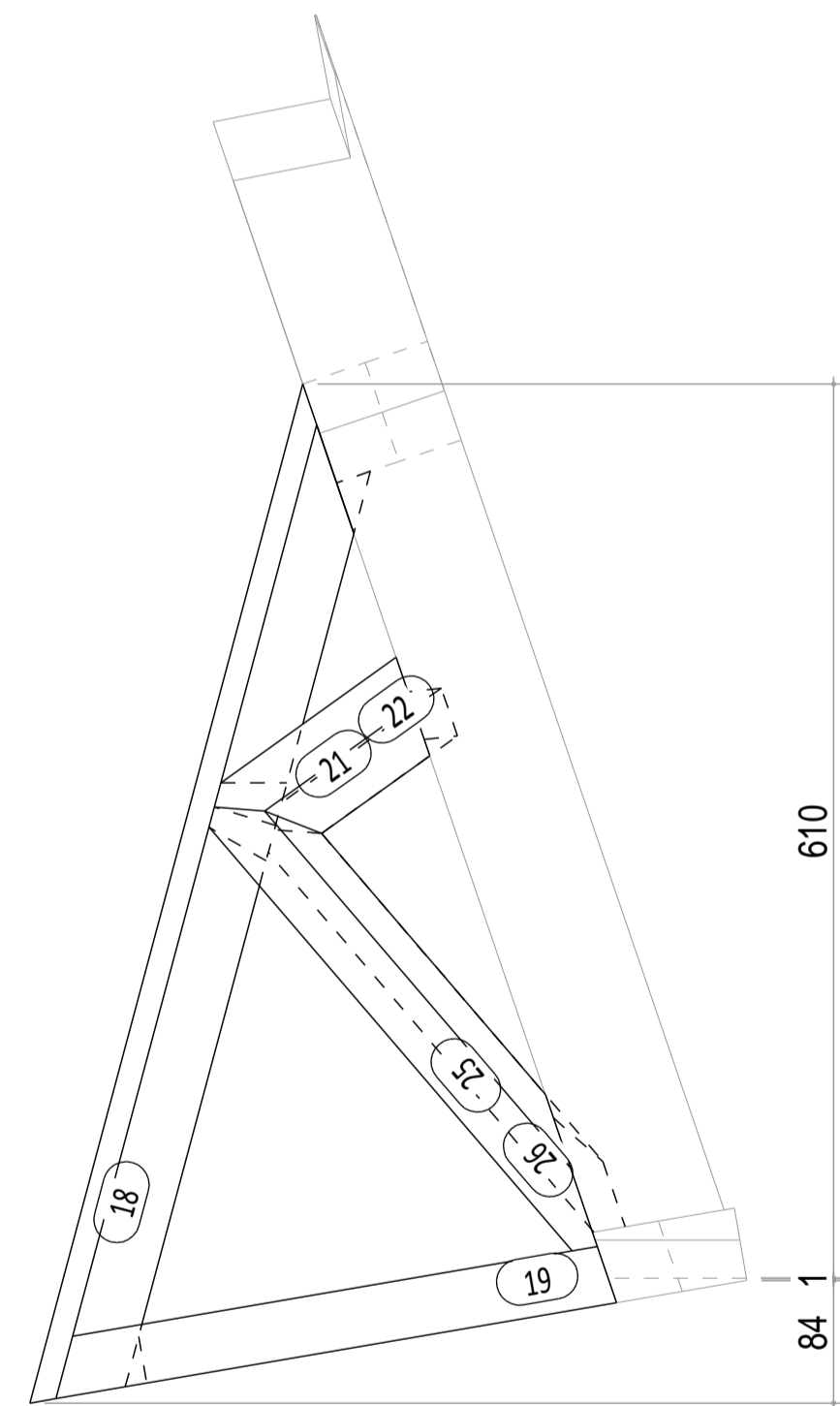
Skill: carpentry	Nr. 26	Drawing No: WSC2013 TP FL EN
Scale: 1:5	Date: 23.05.2013	Paper: A1
Drawn / Design by: Ch.F./ Ch.W.	Rev:	Page: 2/5
Description: Module 1	App d:	Sign: CW

Roof plane



Material list/ Holzliste/ Liste de bois

Nr.18	1x40/60/880
Nr.19	1x40/60/640
Nr.20	1x40/60/640
Nr.21	1x40/55/290
Nr.22	1x40/55/290
Nr.25	1x40/45/610
Nr.26	1x40/45/610

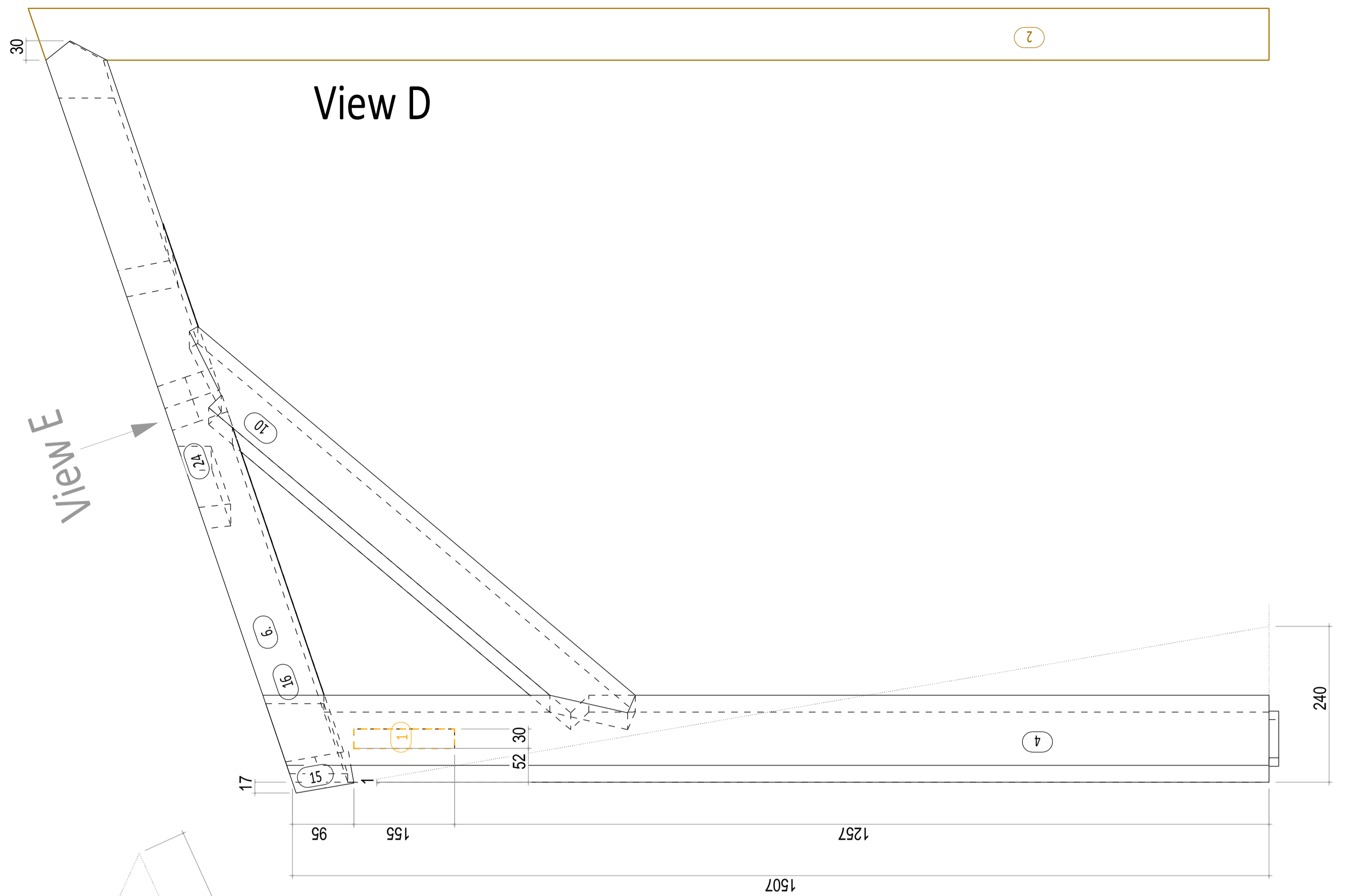
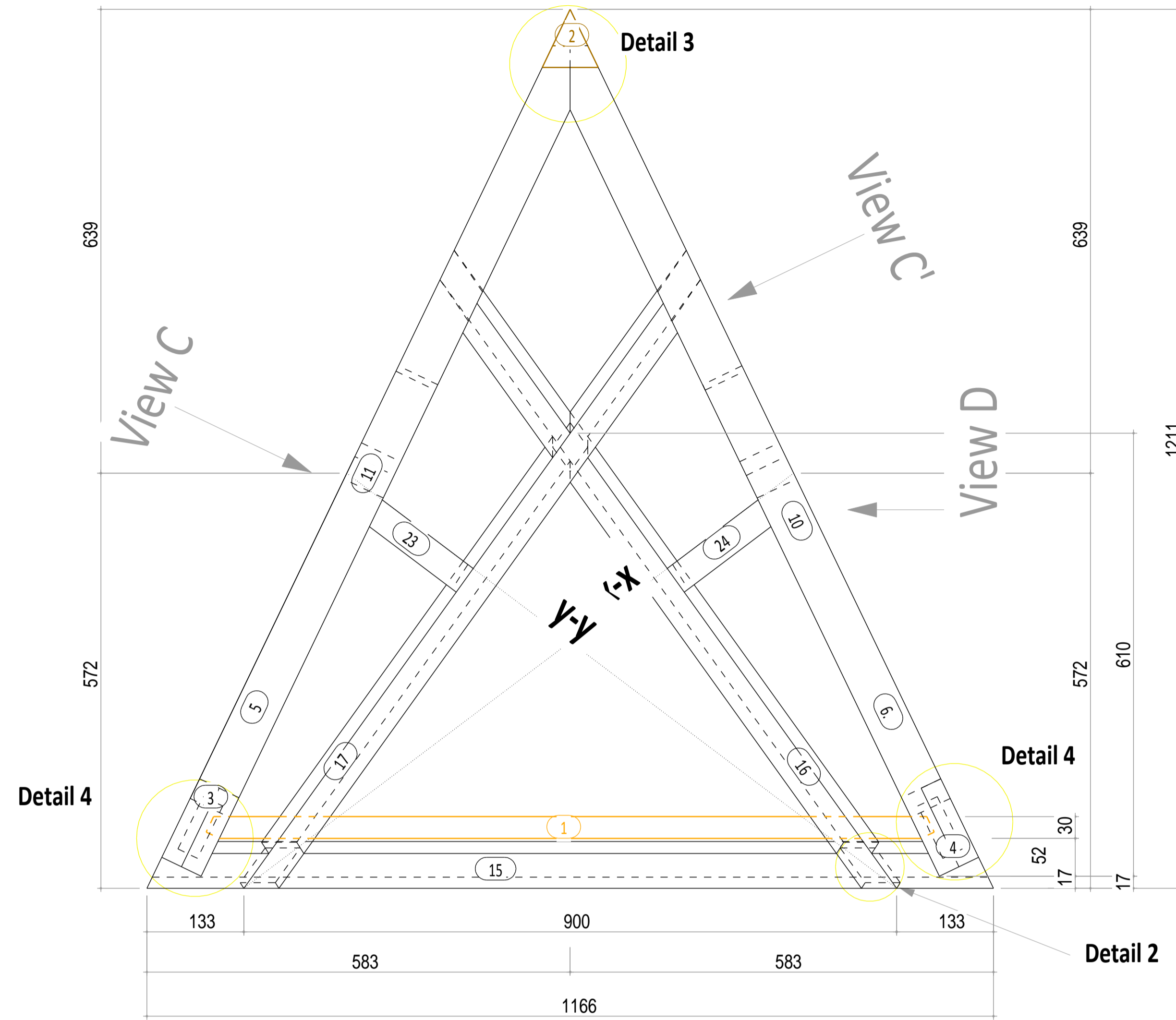


Test Project for the 42nd WorldSkills
Competition in Leipzig, Germany 2013.
Copyright © 2013 WorldSkills
International.
All Rights Reserved.



Skill: carpentry	Nr. 26		
Scale: 1:5	Date: 23.05.2013	Paper: A1	
Drawn / Design by: Ch.F./ Ch.W.		Drawing No: WSC2013 TP FL EN	
Description: Module 3		Rev: Page: 5/5	
App d:		Sign: CW	

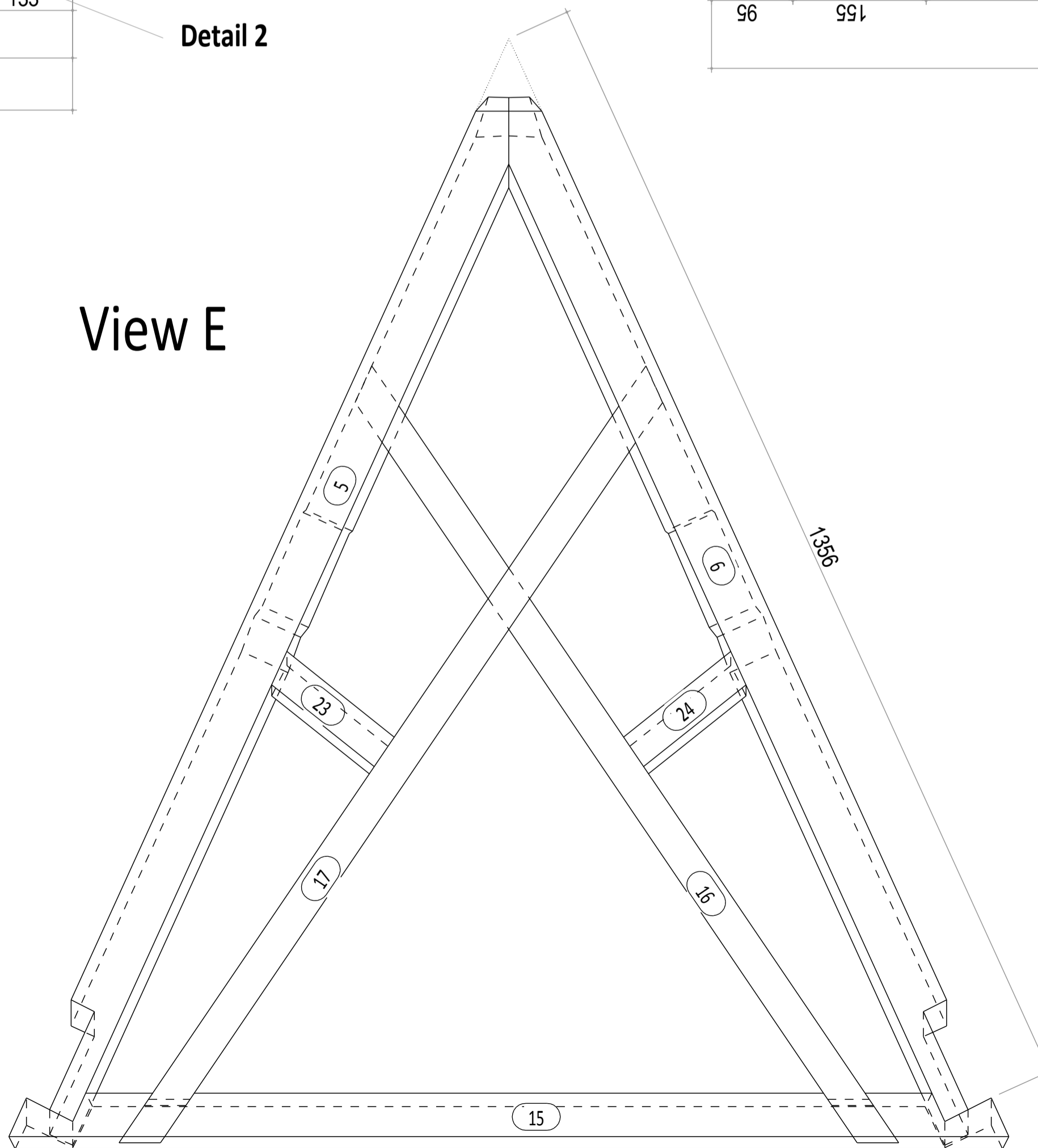
Top view



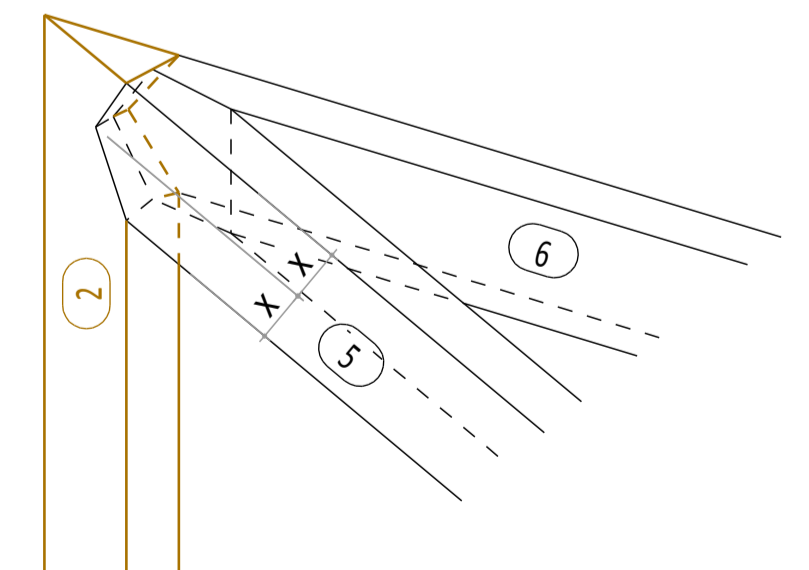
Roof plane

Nr. 16/17

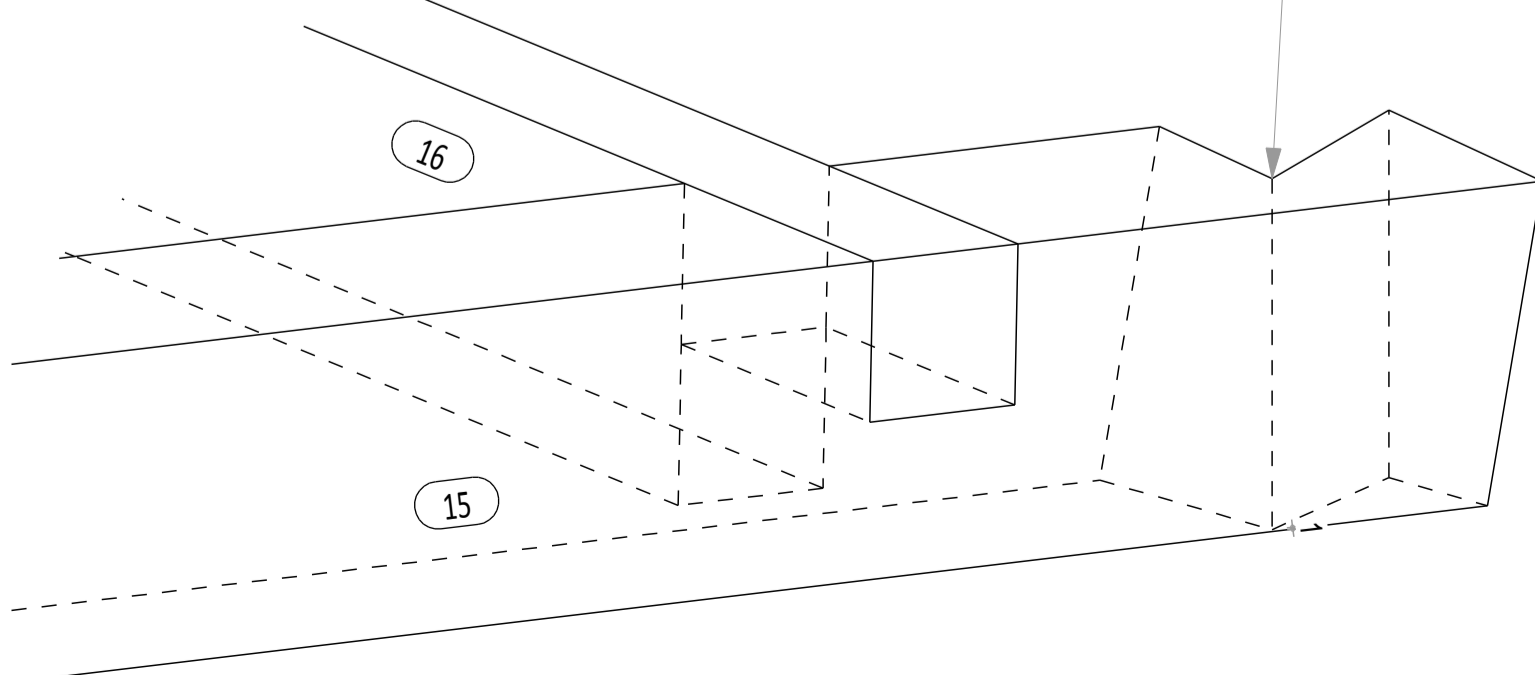
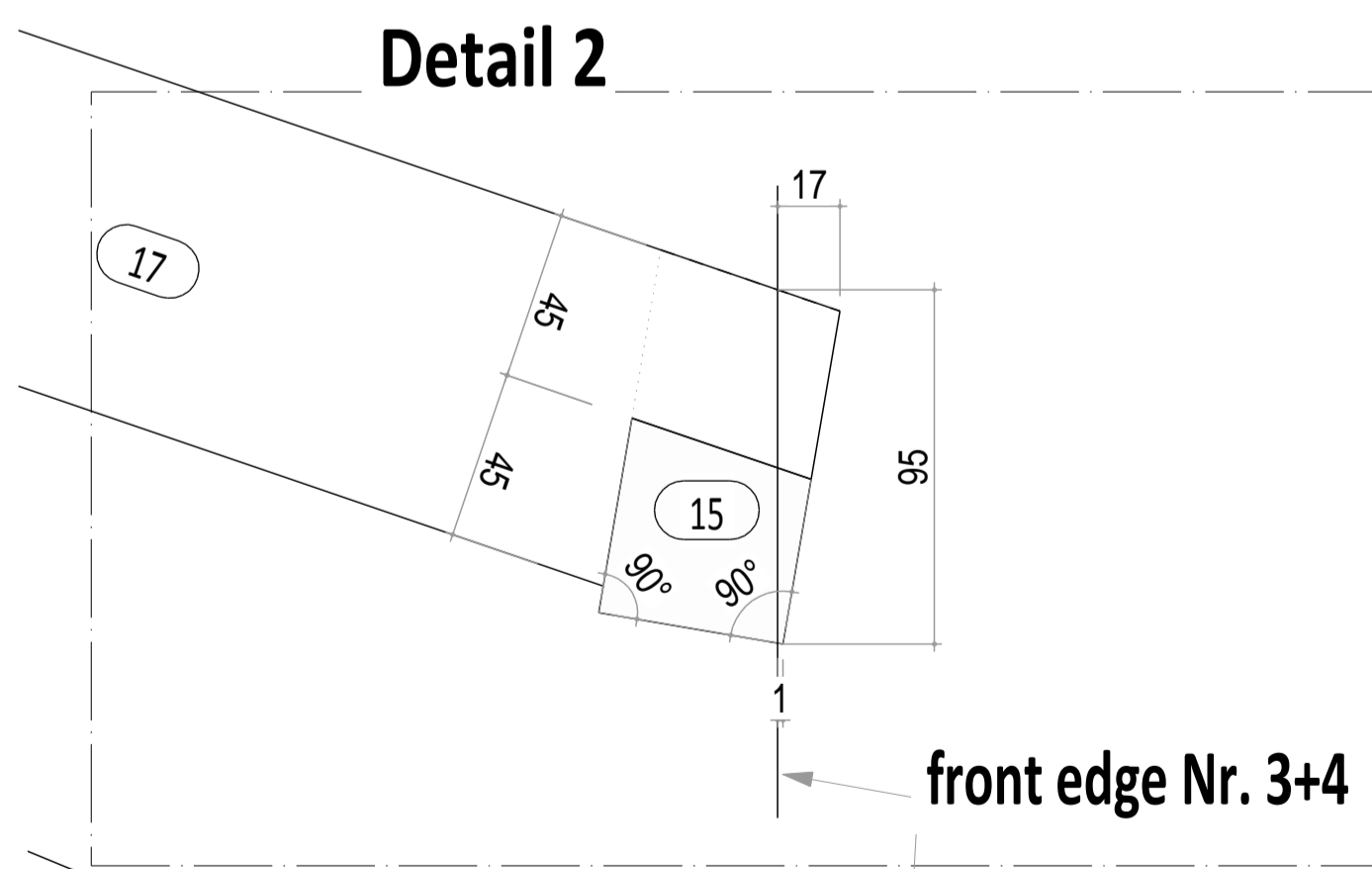
View E



Detail 3



Detail 2



Test Project for the 42nd WorldSkills Competition in Leipzig, Germany 2013. Copyright © 2013 WorldSkills International. All Rights Reserved.



Skill: carpentry	Nr. 26		
Scale: 1:5	Date: 23.05.2013	Paper: A1	
Drawn / Design by: Ch.F. / Ch.W.		Drawing No: WSC2013 TP FL EN	
Description: Module 2 (1)		Rev: Page 3/5	
App d:		Sign: CW	

